



Quick Start Guide

Sno-Tek 24E (920402 s/n 75000 & up)

- Step 1: Assemble Handlebars
- Step 2: Install Discharge Chute and Discharge Chute Crank
- Step 3: Install Remote Deflector Cable
- Step 4: Check Function of Dual Handle Interlock
- Step 5: Check Tire Pressure
- Step 6: Adjust Skid Shoes
- Step 7: Check Auger Gearcase Oil
- Step 8: Check Engine Crankcase Oil
- Step 9: Fill Engine Fuel Tank
- Step 10: Starting the Engine
- Step 11: Stopping the Engine



READ AND UNDERSTAND ALL INSTRUCTION, WARNING, AND DANGER LABELS.

IMPORTANT: READ OPERATOR'S MANUAL AND ENGINE MANUAL THOROUGHLY AND FOLLOW THE IMPORTANT SAFE OPERATION PRACTICES BEFORE OPERATING.

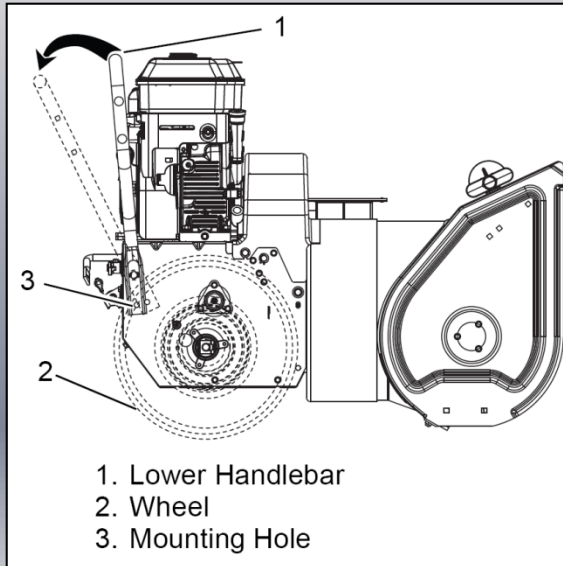


Step One: Assemble Handlebars

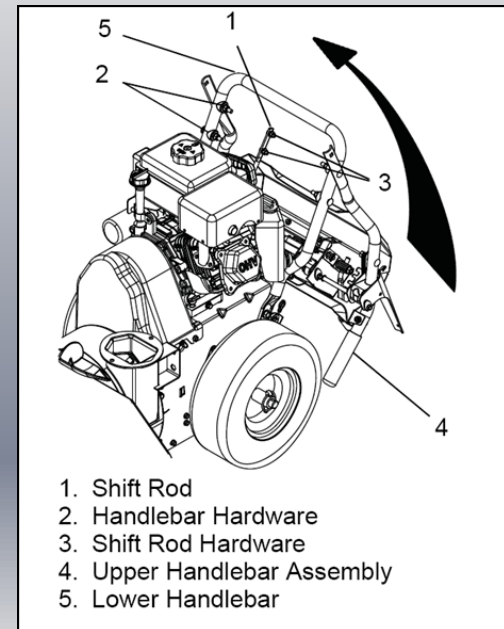
NOTE: The Ariens company has made changes to packaging that affects this serial number range.

If the upper handlebars on your unit came already attached please disregard the following four slides.

Not attached



Attached





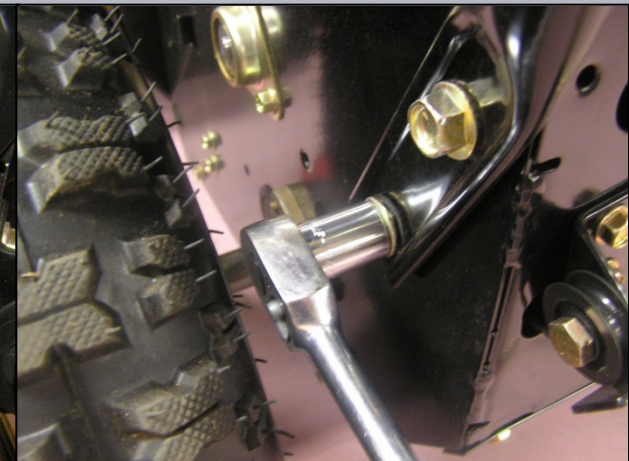
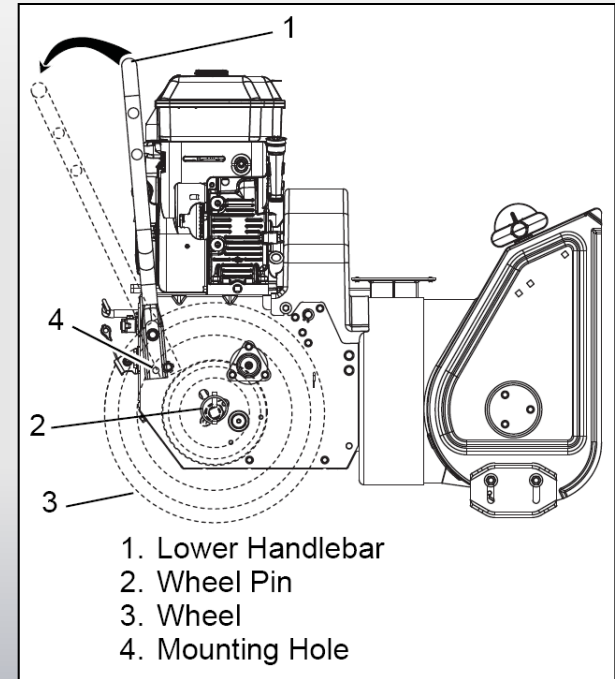
Step One: Assemble Handlebars (Unfold Lower Handlebar)

NOTE: This slide applies to UNATTACHED handlebars ONLY

1. Remove wheel pins from each side of the unit and slide wheels away from frame. Do not remove wheels completely.

IMPORTANT: Be sure to block wheels or secure unit so it does not move during assembly.

2. Rotate lower handlebar out from unit so lower handlebar mounting holes align with mounting holes on the unit frame.
3. Secure lower handlebar to unit using two 3/8 in x 3/4 in. hex head serrated flange grade 5 bolts.
4. Tighten all four bolts to 25-42 lbf-ft (33,9-56,9 N·m)
5. Slide both wheels back into place and reinstall wheel pins.



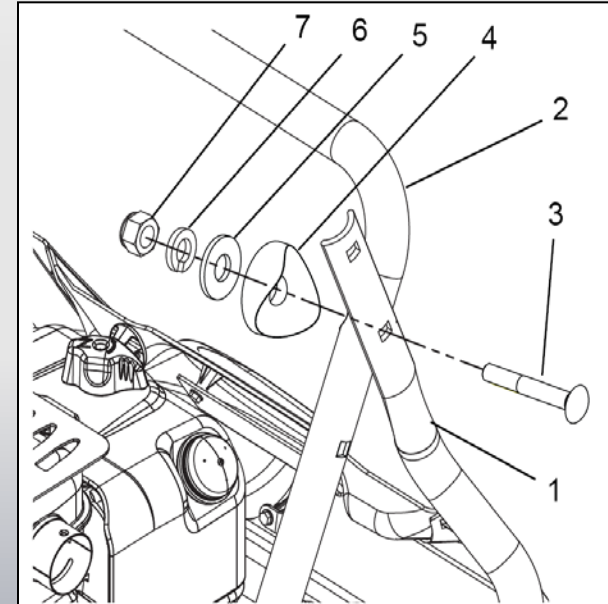


Step One: Assemble Handlebars (Attach Upper Handlebar Assembly)

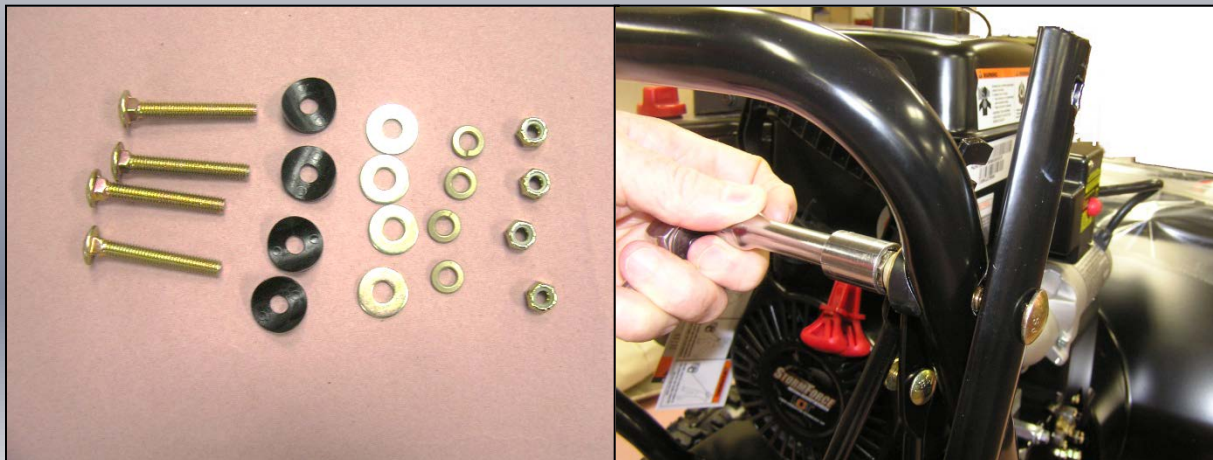
NOTE: This slide applies to UNATTACHED handlebars ONLY

1. Attach upper handlebar assembly to lower handlebar using two sets of the handlebar hardware. One set to attach each side of the handlebars.

NOTE: DO NOT tighten hardware. Allow upper handlebar assembly to hang from the lower handlebars for the next step.



1. Upper Handlebar Assembly
2. Lower Handlebar
3. 5/16 in x 2-1/4 in. Round Head Square Neck Grade 5 Bolt
4. Handlebar Spacer
5. Flat Steel Washer
6. Locking Washer
7. 5/16 in Nyloc Nut



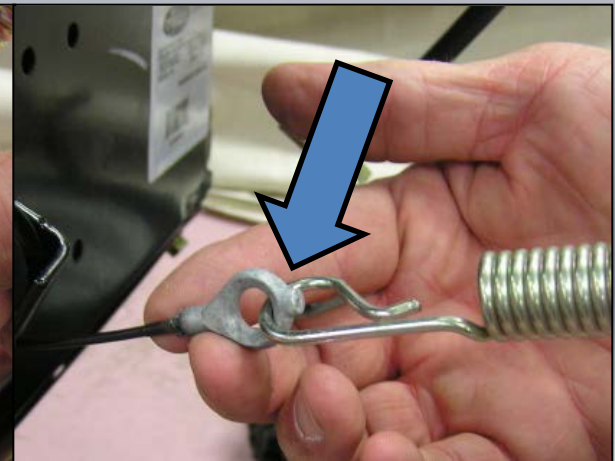
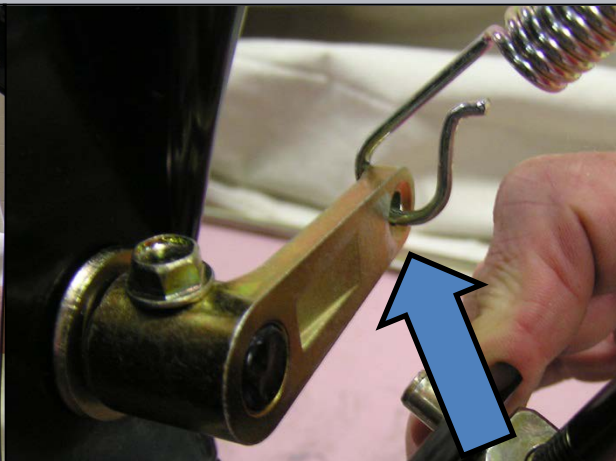
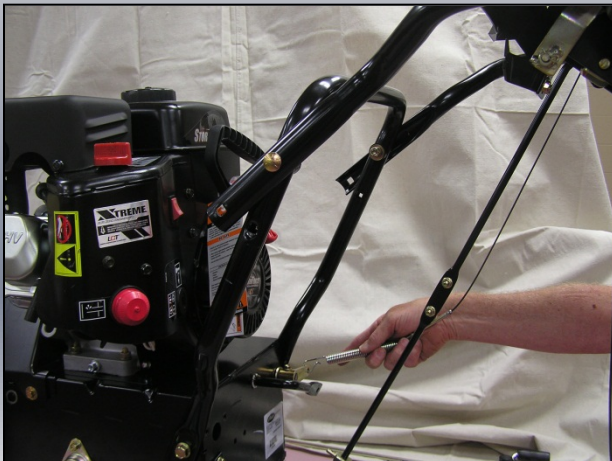
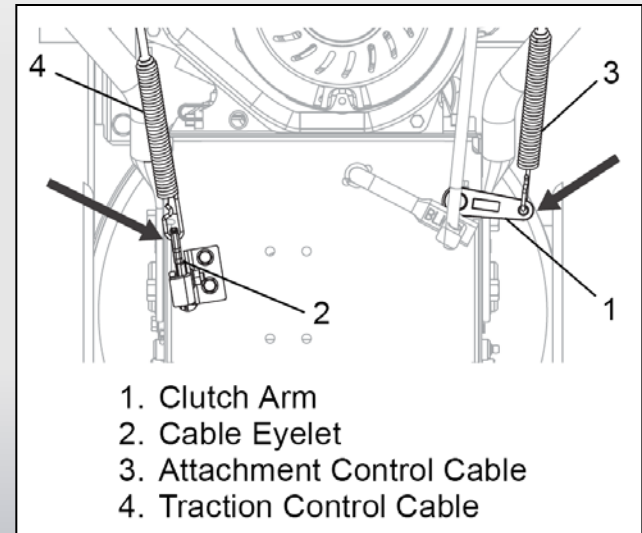


Step One: Assemble Handlebars (Attach Control Cables)

NOTE: This slide applies to UNATTACHED handlebars ONLY

1. Hook Spring end of attachment control cable to the clutch arm.
2. Hook spring end of the traction control cable to the cable eyelet on back of frame.

NOTE: Make sure cable remains in groove of pulley.





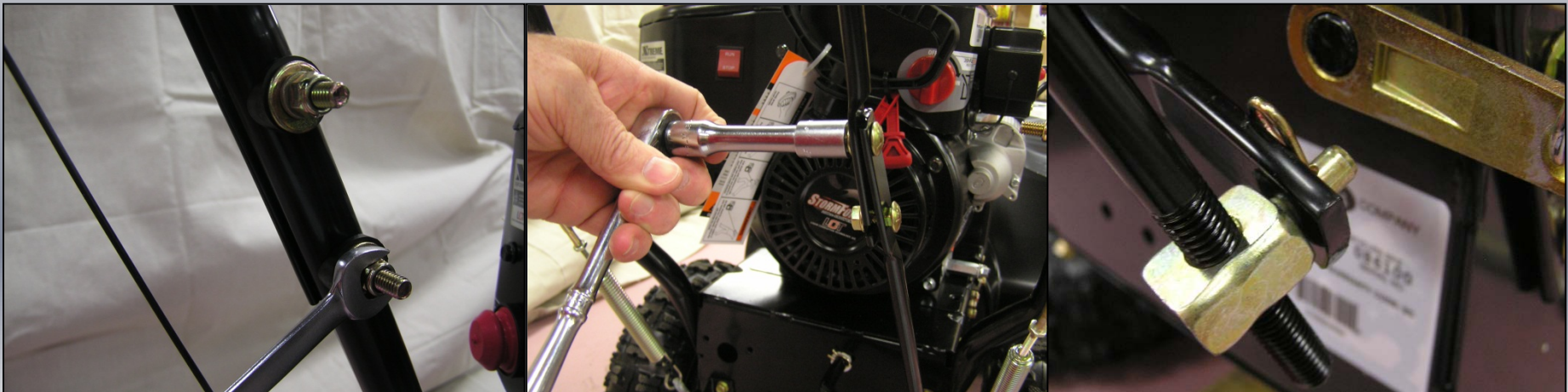
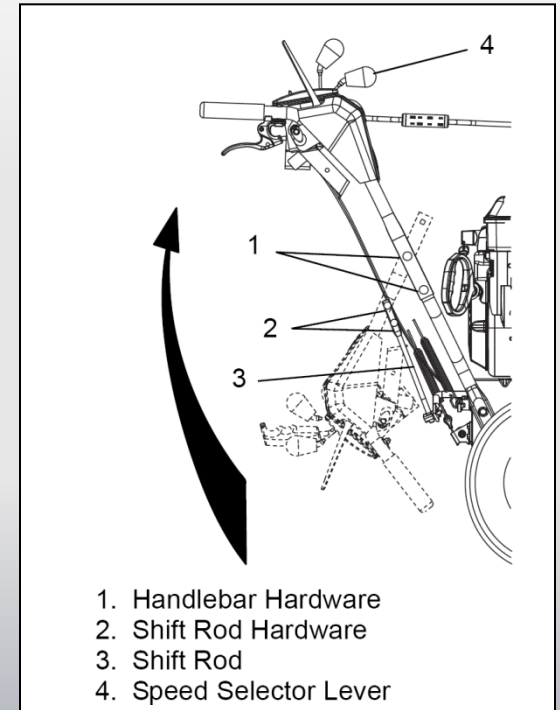
Step One: Assemble Handlebars (Unfold Upper Handlebar)

1. Rotate handlebar into operating position.

NOTE: Be careful not to damage cable spring hooks when rotating handlebar upward.

2. Install the remaining handlebar hardware attaching the upper handlebar assembly to the lower handlebar.
3. Tighten all hardware.
4. Remove packaging around shift rod.
5. Rotate shift rod into place and tighten hardware.
6. Connect shift rod to speed selector arm and adjust as specified. See *Selector Adjustment* in the Owners Manual.
7. Adjust attachment cable as specified. See *Attachment Clutch/Brake Adjustment* in the Owners Manual.
8. Adjust the traction cable as specified. See *Traction Drive Clutch Adjustment* in the Owners Manual.

NOTE: This slide applies to UNATTACHED handlebars ONLY





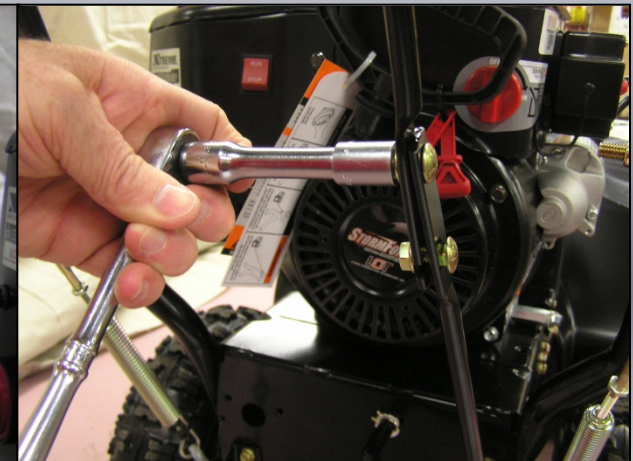
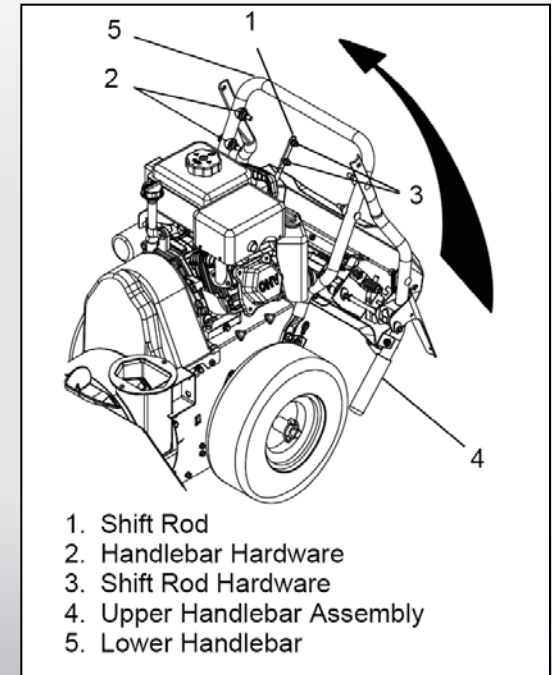
Step One: Assemble Handlebar

1. Remove the lower and loosen the upper hardware on the handlebar assembly.
2. Loosen the hardware on the shift rod.
3. Put the speed selector lever in the sixth forward position.
4. Rotate the handlebar into operating position.

NOTE: Be careful not to damage cable spring hooks when rotating handlebar upward.

5. Install and tighten the hardware on the handlebar assembly and shift rod.

NOTE: This slide applies to ATTACHED handlebars ONLY





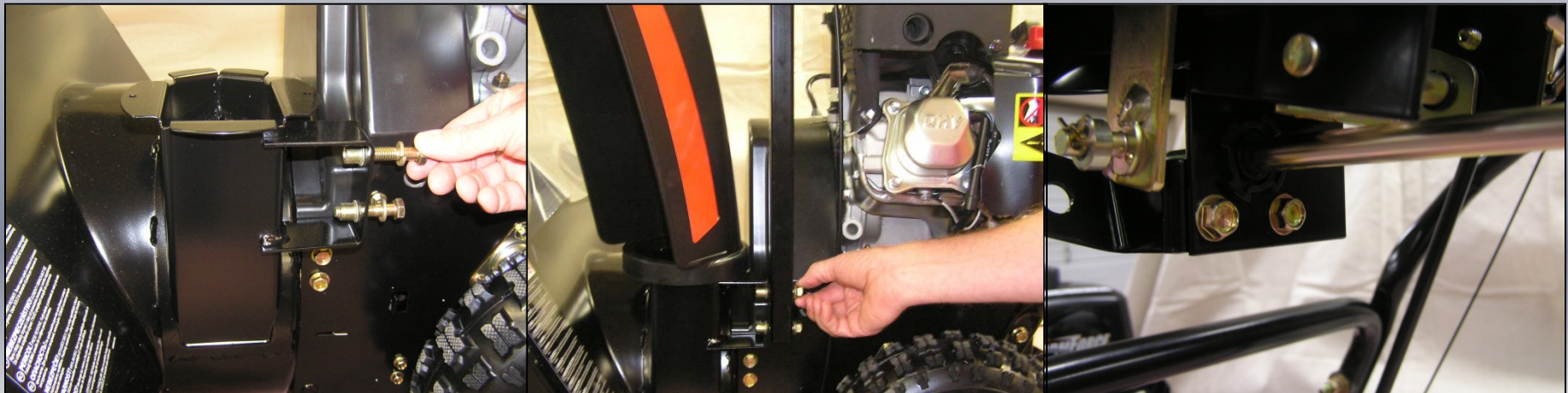
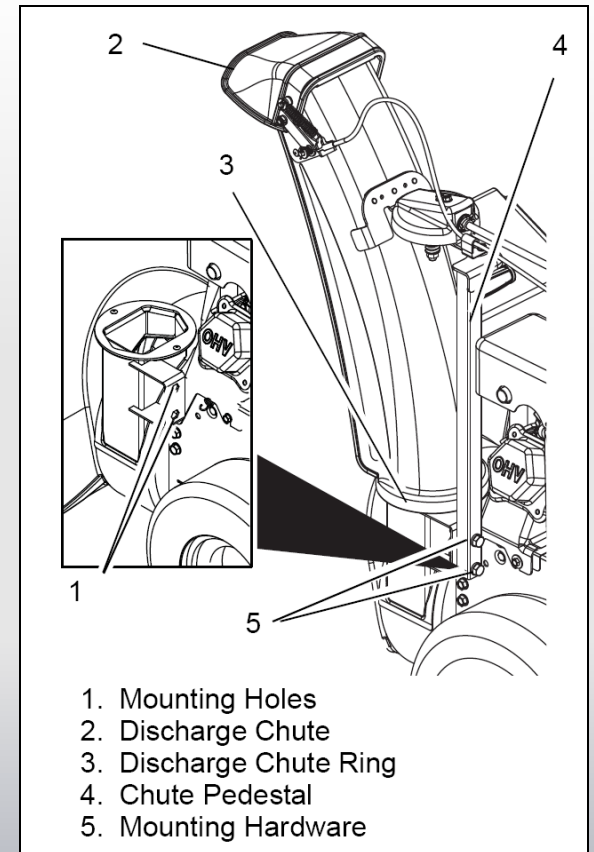
Step Two: Install Discharge Chute and Discharge Chute Crank

1. Remove mounting hardware from the auger housing.
2. Install discharge chute over opening in the auger housing. Finger tighten the mounting hardware removed above.

NOTE: Leave discharge chute pedestal loose to help install the chute crank.

3. Slide chute crank through the nylon bushing in the support bracket under control panel.

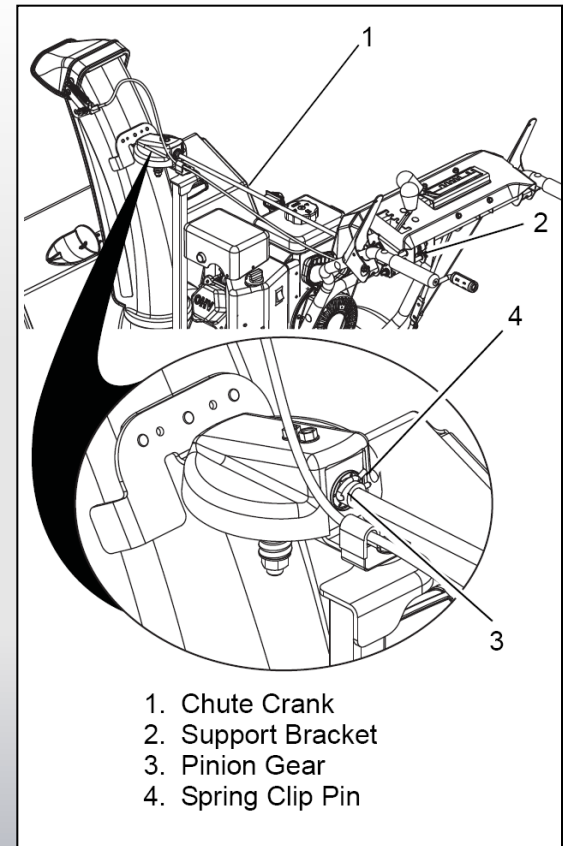
NOTE: Be careful not to damage nylon bushing when attaching crank to the control panel.





Step Two: Install Discharge Chute and Discharge Chute Crank Cont.

1. Connect the chute crank to the pinion gear on discharge chute with spring clip pin.
2. Orient the chute and pedestal to its most vertical position and tighten pedestal hardware to 25-42 lbf-ft (20 – 42 N·m)

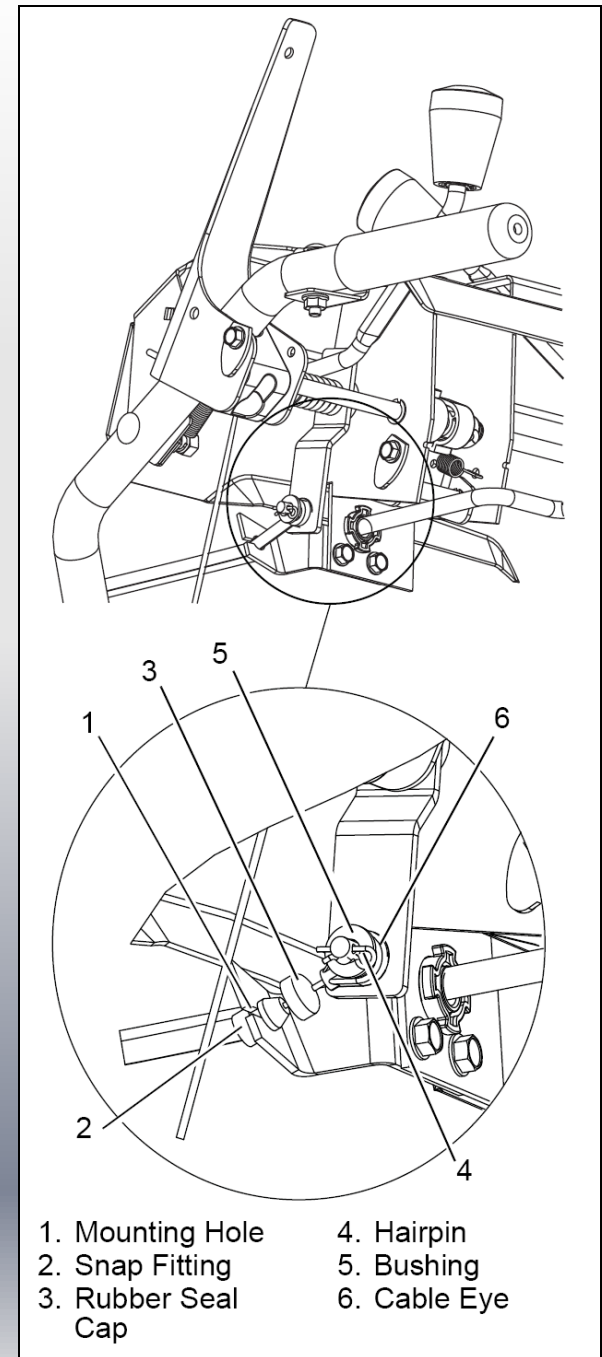
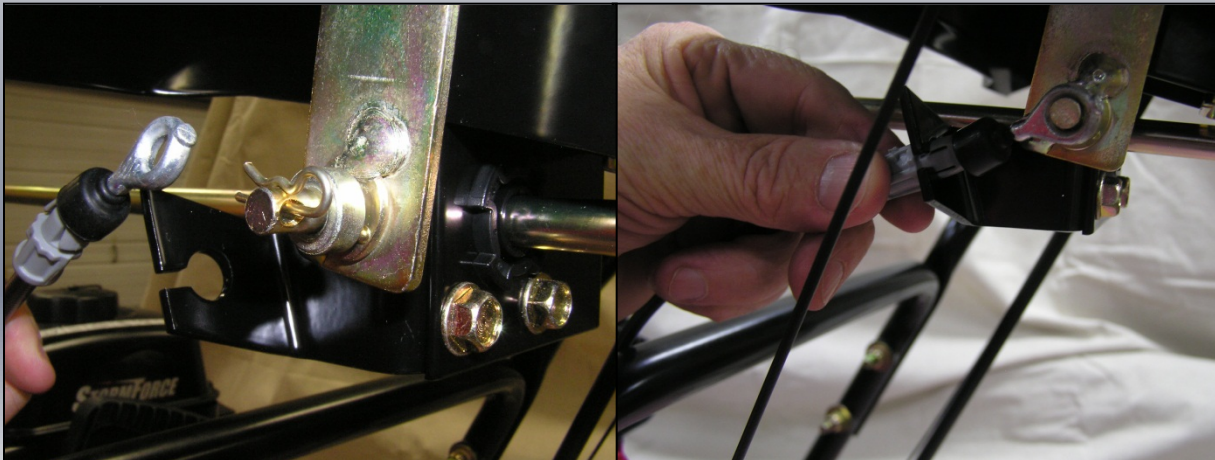




Step Three: Install Remote Deflector Cable

1. Pull rubber seal cap away from snap fitting.
2. Install snap fitting into cable bracket's mounting hole located under the control panel.
3. Position rubber seal cap over the top of snap fitting.
4. Move deflector control lever to rear most position.
5. Attach cable eye to pin on bottom of deflector control lever.
6. Secure cable eye to control lever with bushing and hairpin.

NOTE: Hold down chute deflector cap, if needed, for more cable slack.

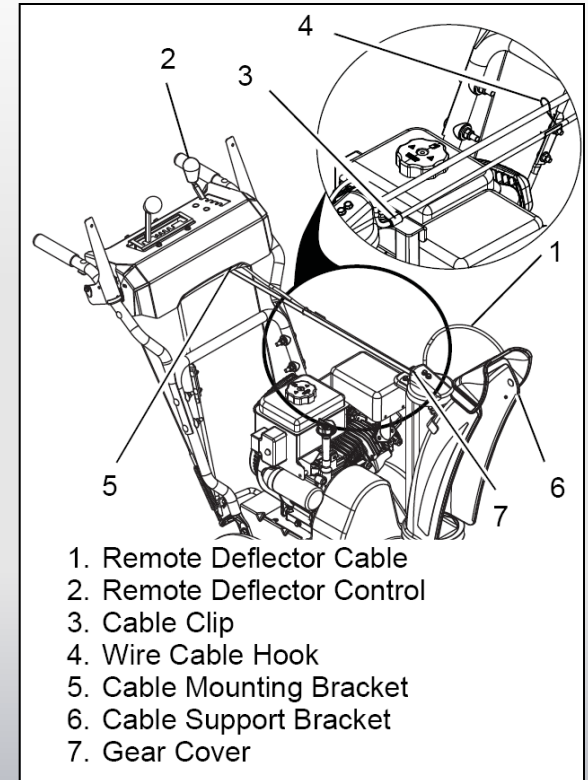




Step Three: Install Remote Deflector Cable Cont.

7. Using the wire hook attached to the deflector cable, hook cable to discharge chute crank.
8. Slide cable through clip on top of discharge chute pedestal.
9. Make sure deflector cable loops above gear cover between cable clip and cable support bracket.
10. Bend clip closed around cable
11. Test controls to be sure deflector works properly.

NOTE: If deflector does not follow full range of travel See *Remote Discharge Deflector Control Adjustment* in Owners Manual.





Step Four: Check Function of Dual Handle Interlock



Without the engine running, press down (engage) both clutch levers. Release attachment clutch lever. Attachment clutch should remain engaged until traction clutch lever is released, then both clutches *must* disengage. If they do not, contact your dealer for repairs.

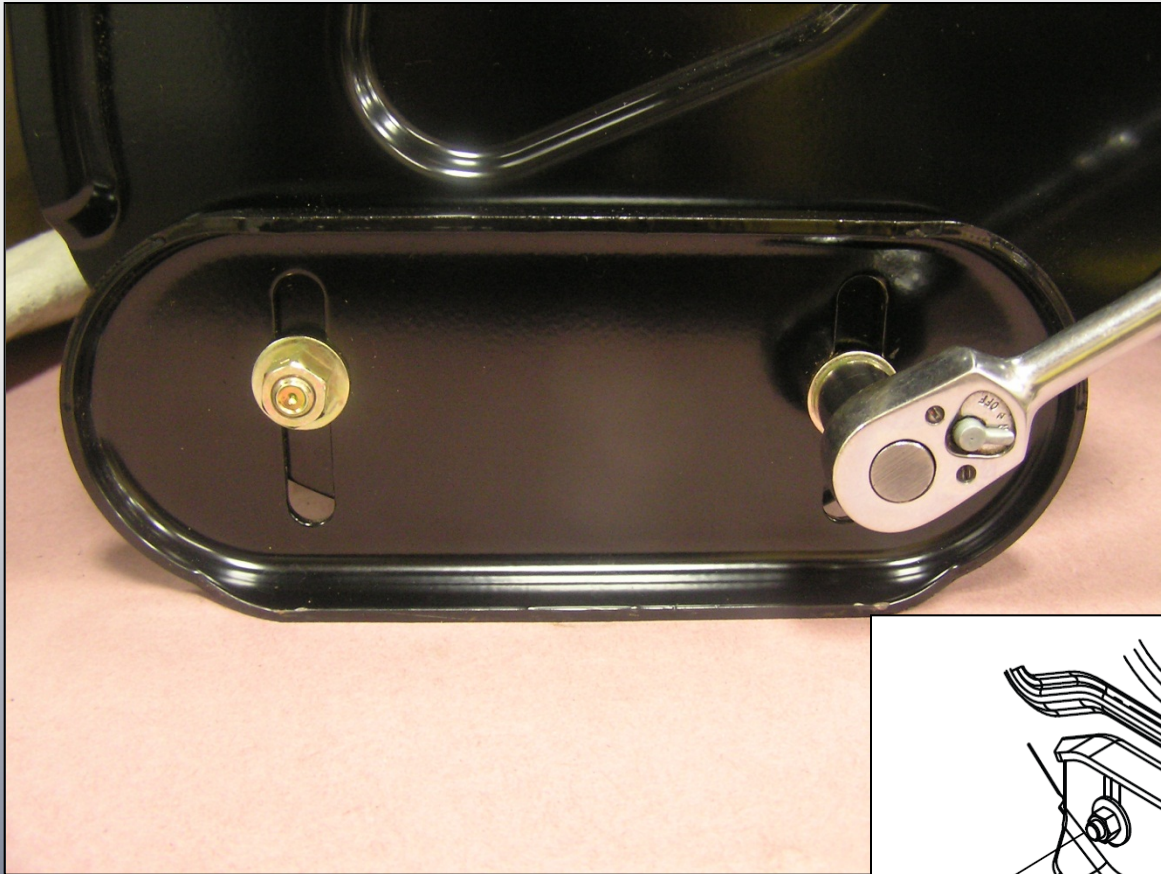


Step Five: Check Tire Pressure

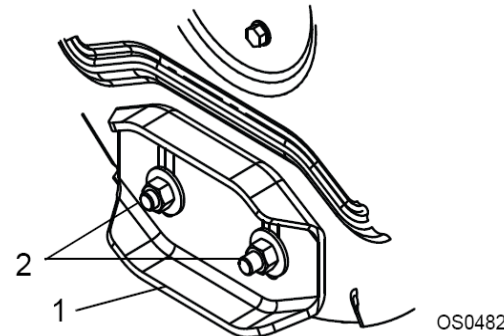


Check tire pressure and adjust to the pressure listed on tire sidewall.

Step Six: Adjust Skid Shoes



IMPORTANT: Skid shoes should be adjusted as conditions require. Allow 1/8 in. (3mm) between scraper blade and hard smooth surfaces. Allow 7/8 in. (22 mm) between scraper blade and uneven or gravel surfaces. (See Skid Shoes in Owners Manual).

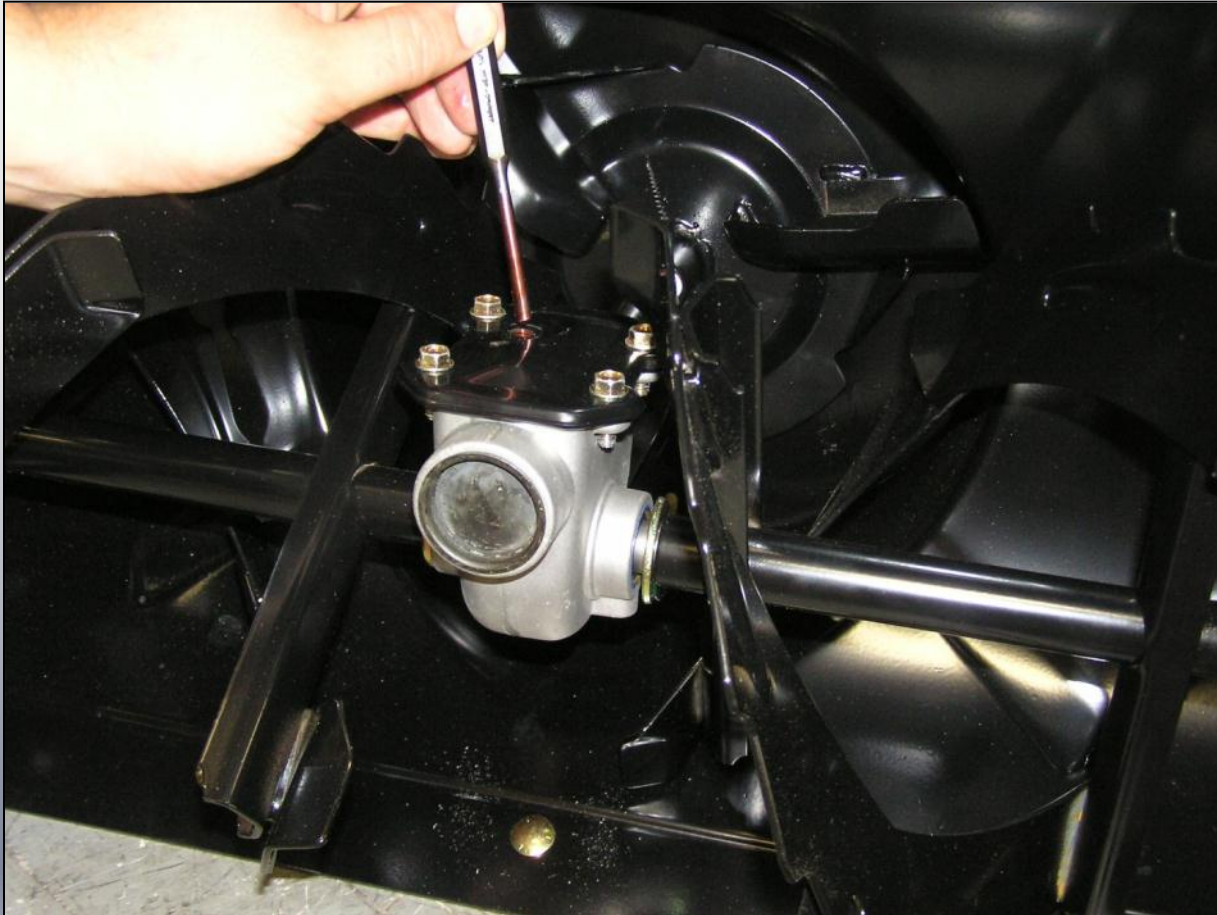


1. Skid Shoe
2. Skid Shoe Hardware

OS0482



Step Seven: Check Auger Gearcase Oil



Check oil level in auger gearcase (see *Check Auger Gearcase* in Owners Manual).



Step Eight: Check Engine Crankcase Oil



IMPORTANT: The engine is shipped with 5W-30 oil in crankcase. Refer to engine manual for detailed instructions.



Step Nine: Fill Engine Fuel Tank



Fill fuel tank. DO NOT OVERFILL! See *FILLING FUEL TANK* in Owners Manual.



Step Ten: Starting the Engine





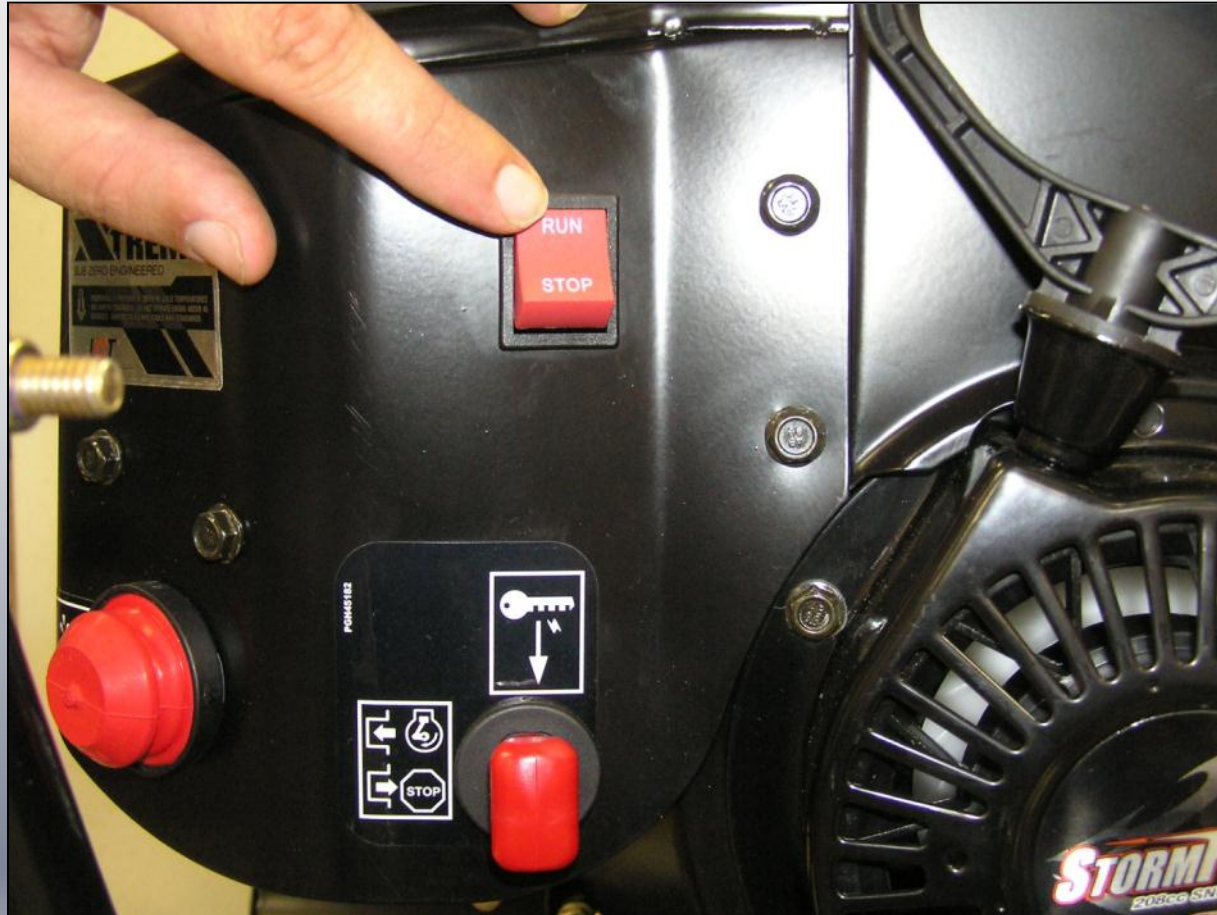
Starting Engine / Step A: Choke



Rotate choke Knob
to START position.



Starting Engine / Step B: Rocker Switch

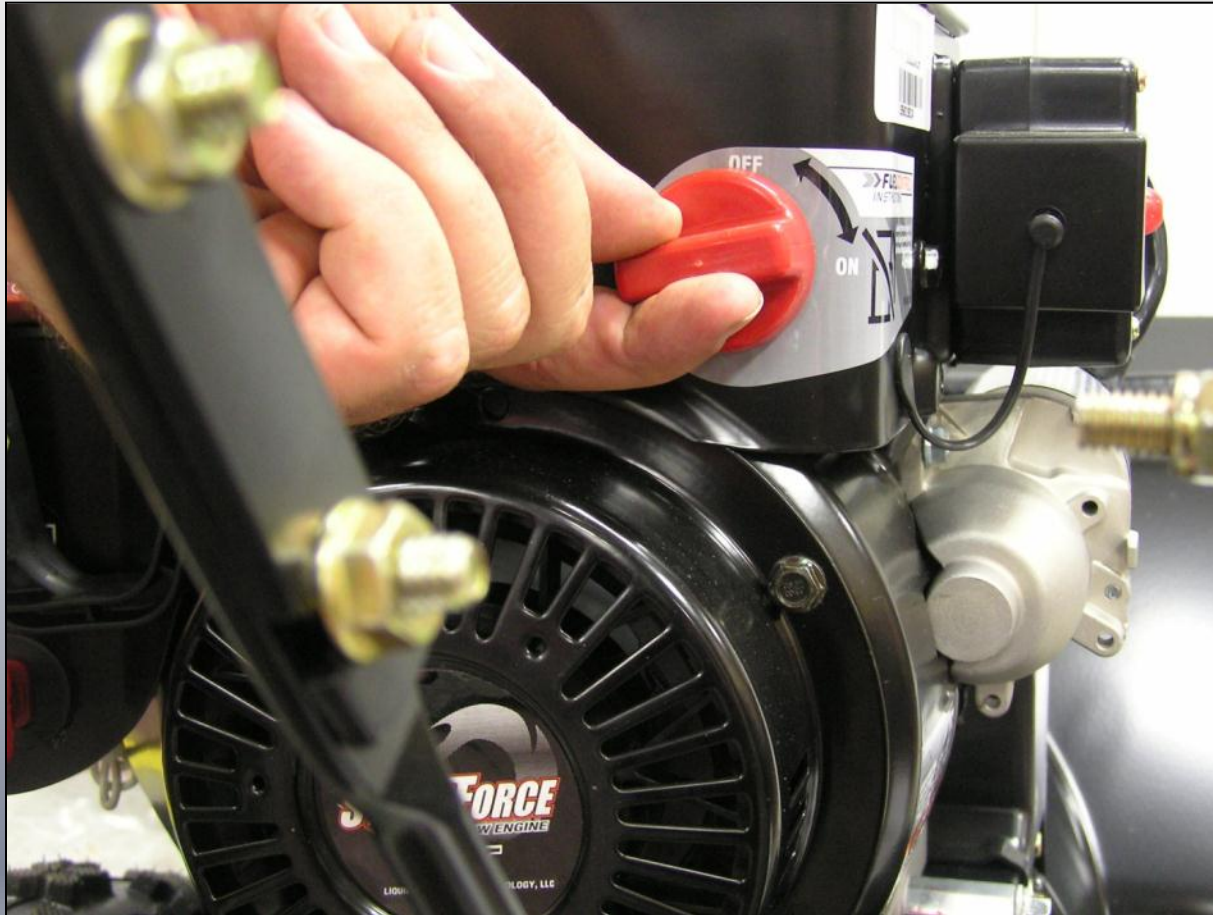


Select RUN on
Run/Stop Rocker
Switch.



Starting Engine / Step C

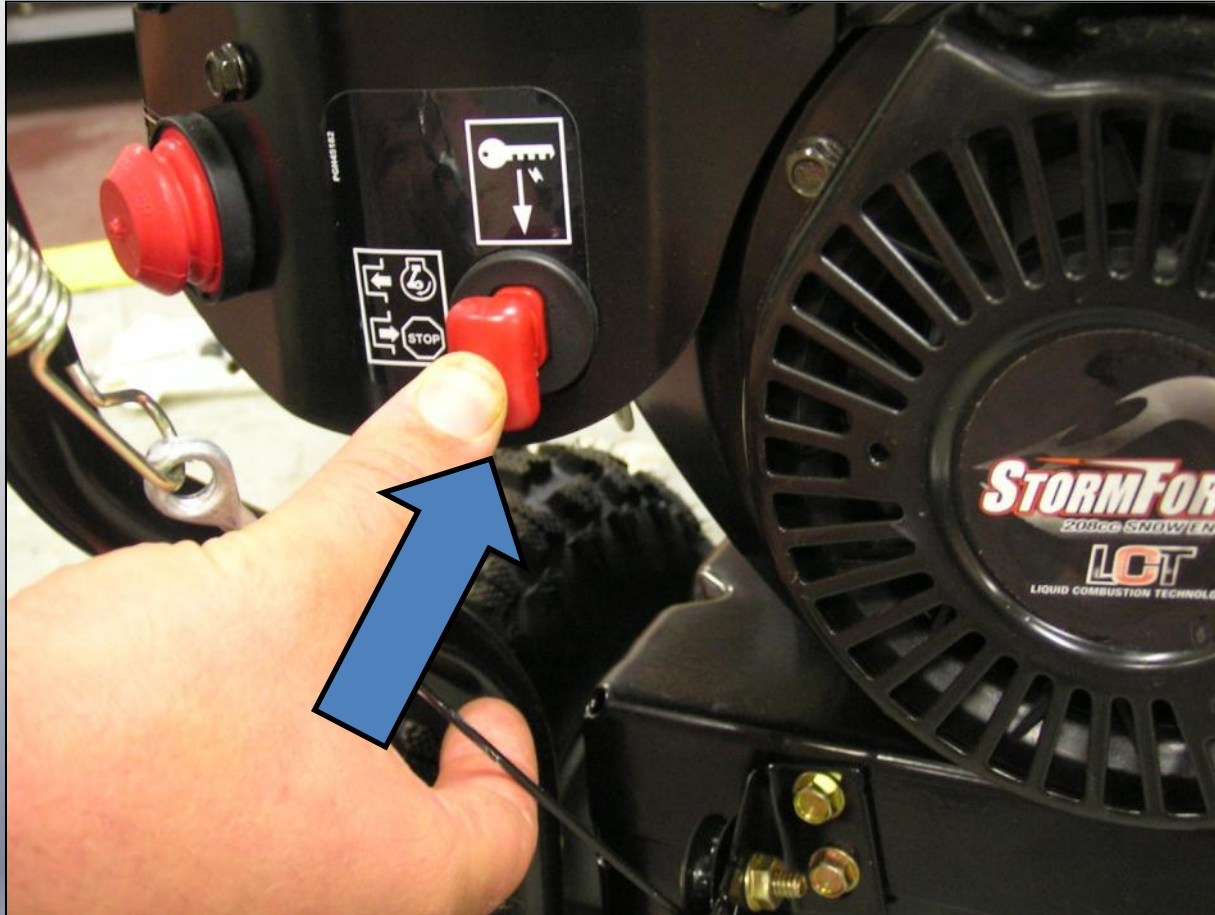
Fuel Shut Off Valve



Rotate Fuel Control Knob to ON position.



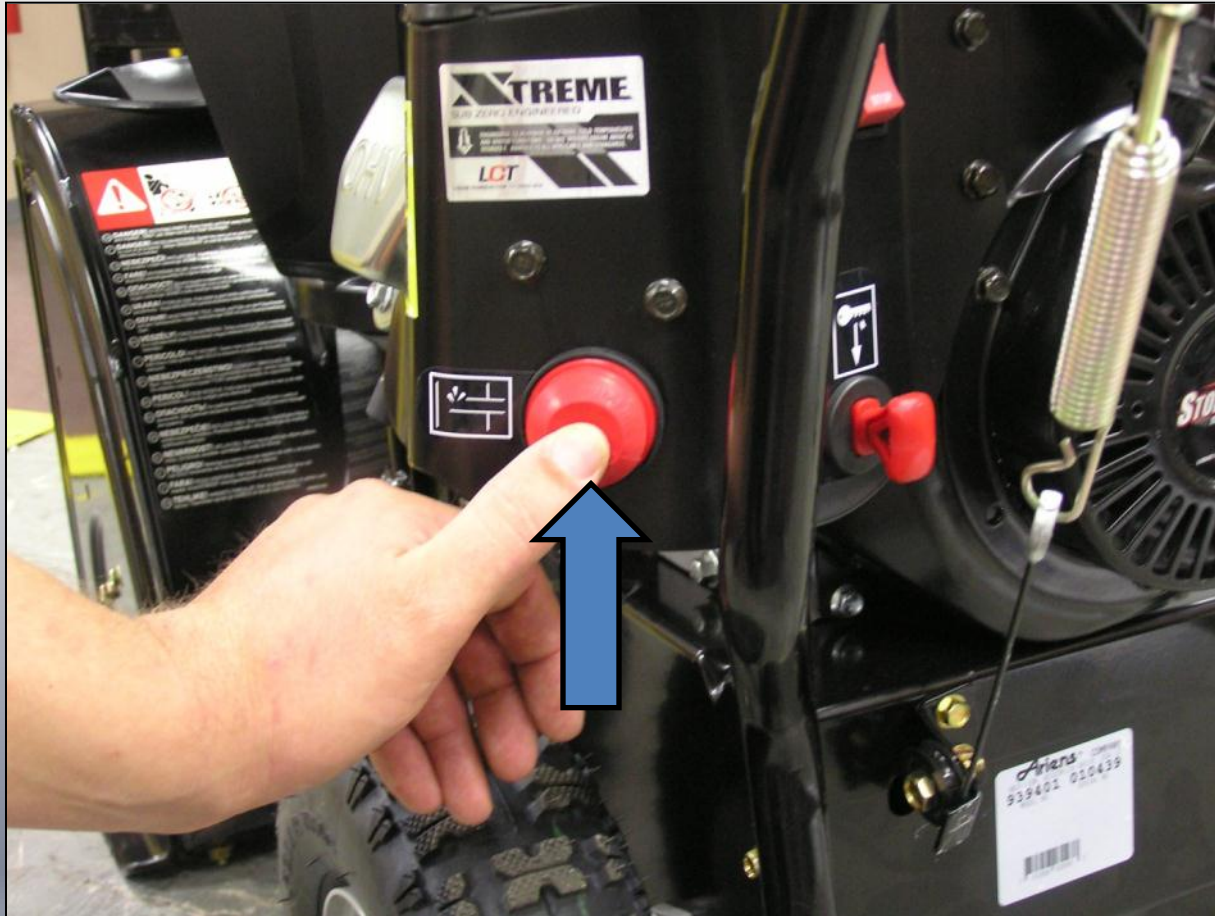
Starting Engine / Step D: Key



Install Safety Key Switch. Insert Safety Key Switch into slot (DO NOT TURN SAFETY KEY SWITCH). Be sure you feel a “snap” when Safety Key Switch is fully inserted.



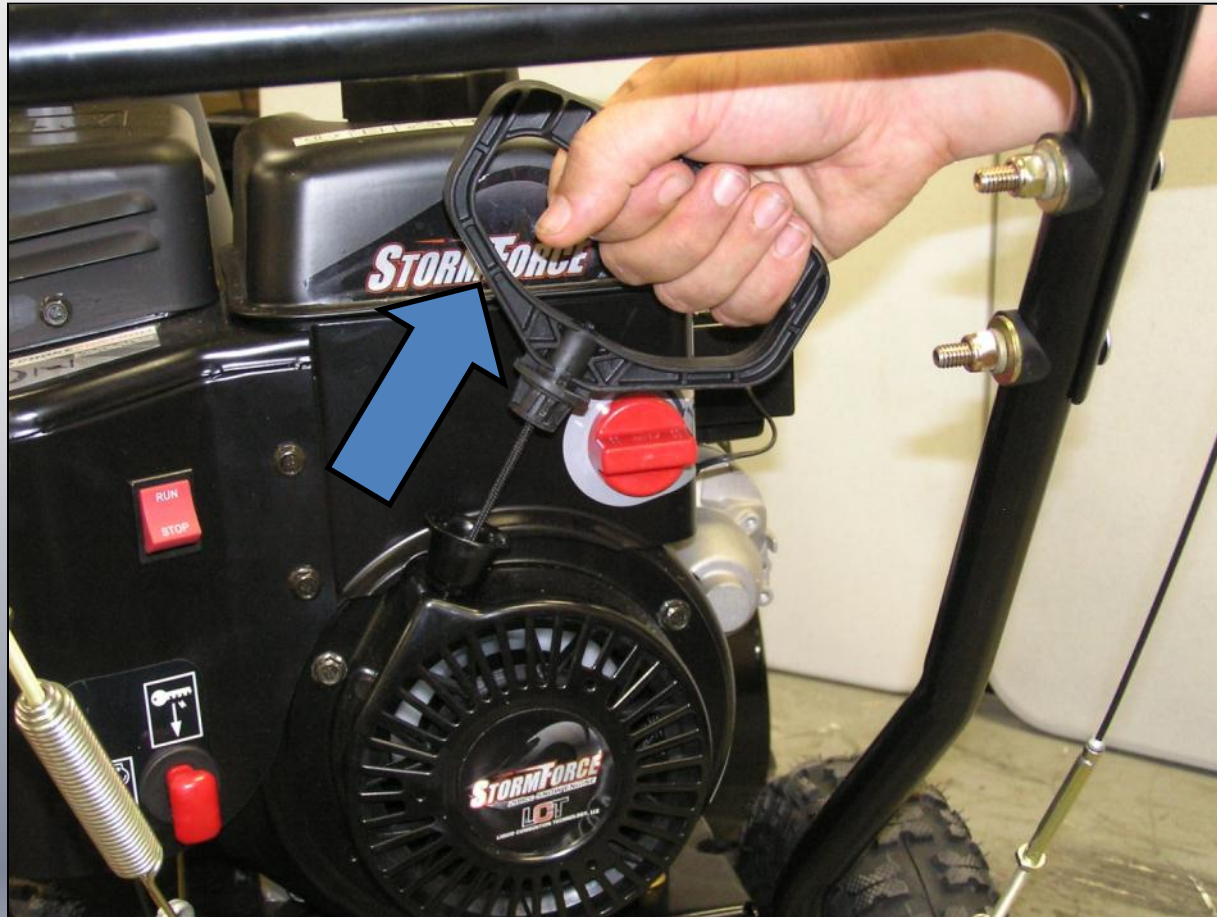
Starting Engine / Step E: Prime



Prime system: 3 primes maximum. DO NOT over prime system. Make sure to cover the vent hole on primer bulb before the primer bulb is compressed. Hold the primer bulb in the compressed position for one full second each time you press it. Repeat for a total of 3 primes.



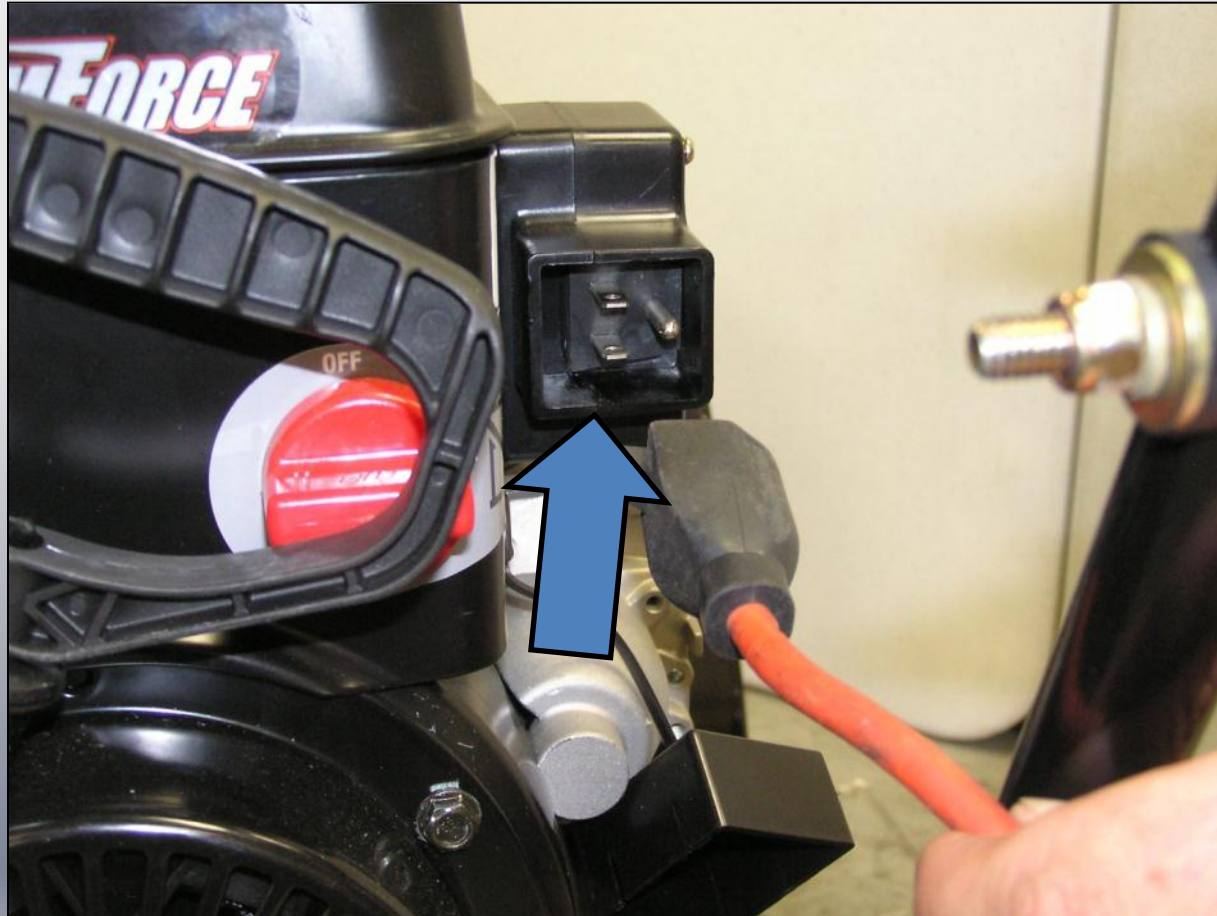
Starting Engine / Step F: (Manual Start)



Grasp rope handle. Pull slowly until resistance is felt, then pull rope firmly and quickly to start engine and avoid kickback.



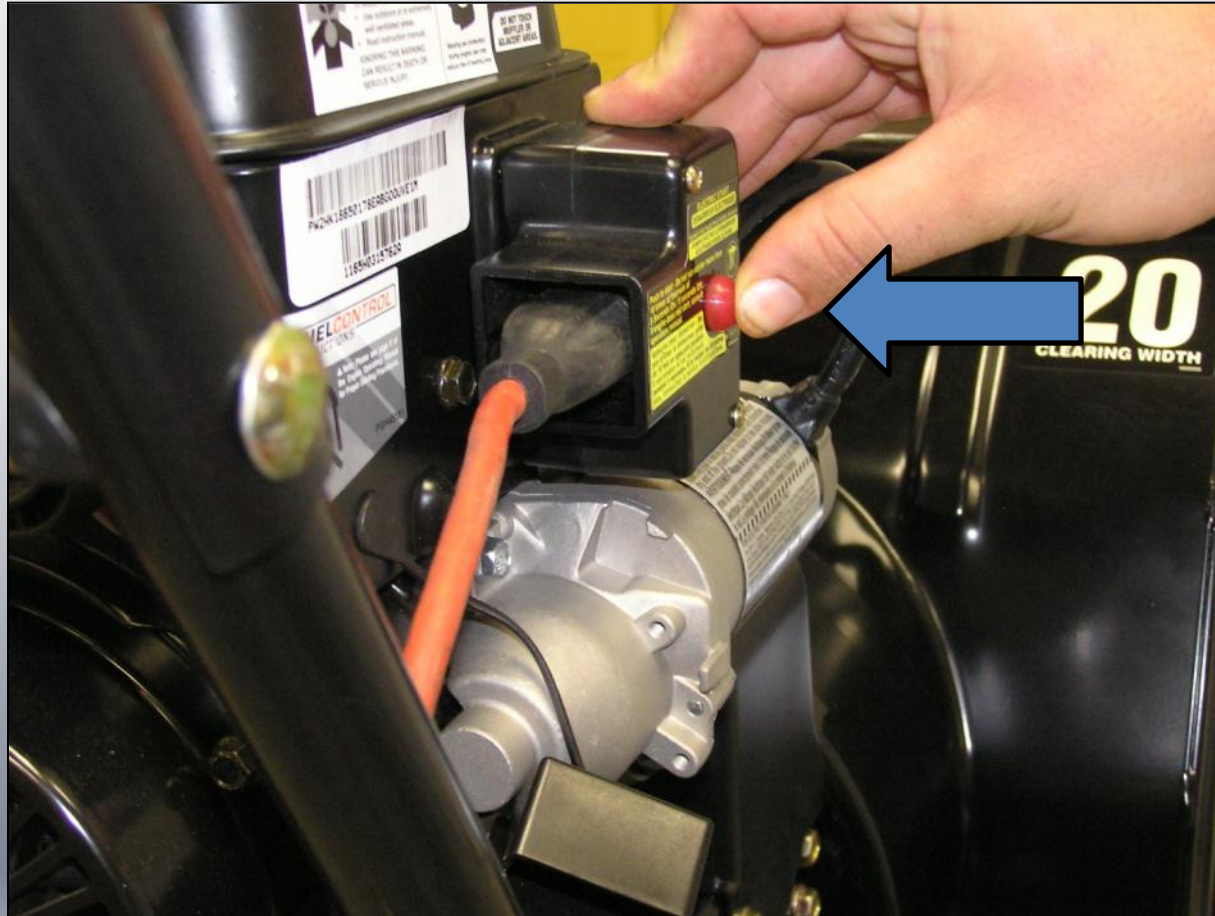
Starting Engine / Step F: (Electric Start)



Use a 3-wire extension cord and plug cord into starter motor adaptor first. Then plug cord into wall receptacle. Use appropriately sized extension cord (a minimum of 16 gage, 3-wire, 13 amp, no longer than 25 feet, and suitable for outdoor use) to prevent damage to electric starter.



Starting Engine / Step G: (Electric Start)



Press and hold starter button.

Note: Do not hold the electric starter button down for more than 5 seconds. Wait at least 1 minute before additional starting attempts.

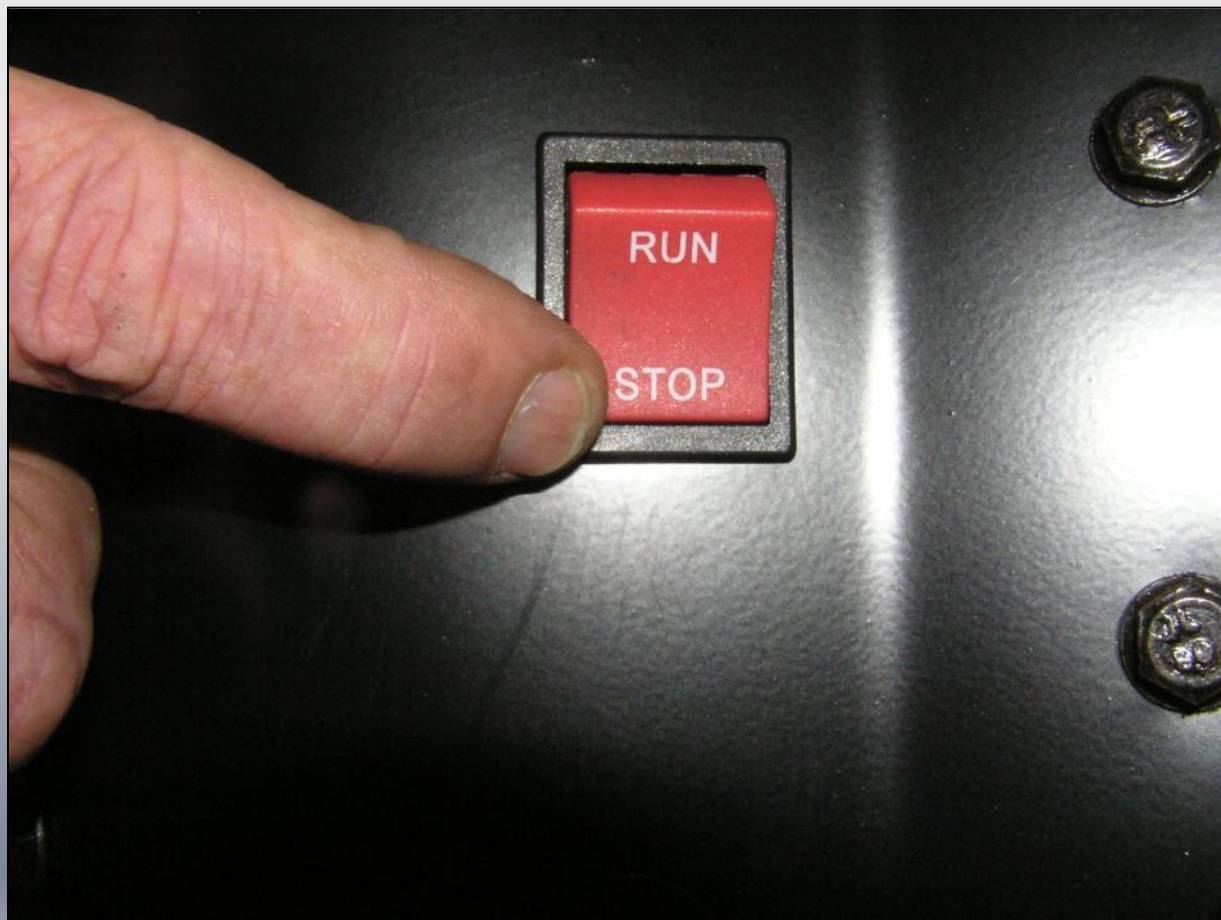


Starting Engine / Step H: Warm up



Allow the engine to warm up for approximately 30 seconds before slowly rotating Choke Knob to Run position.

Step Eleven: Stopping the Engine



To stop engine in an emergency, flip the Rocker Switch to the STOP position, OR Pull Safety Key from Engine.

Under normal conditions:

1. Push rocker switch to STOP position.
2. Pull safety key OUT.



Additional Resources

- Refer to Owners Manual and Engine Manual
- Contact Ariens Company
www.ariens.com
Phone: 920-756-4688
E-mail: info@ariens.com
- For issues concerning engine, please contact LCT
www.LCTUSA.com
Phone: 800-558-5402