



**Count on it.**

**Parts Catalog**

**1800 Power Curve® Snowthrower**

Model No. 38381—Serial No. 311000001 and Up

# Ordering Replacement Parts

To order replacement parts, please supply the part number, the quantity, and the description of each part desired.

## Understanding Reference Numbers

Each identified part in an illustration has a reference number. The reference number for a part also appears in the parts list, along with other information about the part.

This catalog uses two special reference number formats, one to indicate parts in a service assembly and another to indicate the quantity of a given part in an illustration.

## Service Assembly Reference Numbers

Parts in service assemblies have reference numbers in the form a:b. The a represents the reference number of the entire service assembly and the b represents a sequential number unique to each part within the service assembly.

For example, a wheel assembly might be identified by reference number 6, the tire by 6:1, the valve by 6:2, and the wheel by 6:3. When you order the assembly identified by reference number 6, you receive all parts identified by reference numbers 6:1, 6:2, and 6:3. However, you may also order any part individually. Reference numbers of this type appear in illustration and in parts lists.

## Reference Numbers Indicating Quantity

In an illustration, if a reference number indicates more than one part, the reference number has the form nX y. The n represents the quantity of the part, the X is the multiplication symbol, and the y represents the reference number.

For example, in an illustration, the reference number 2X 37 means that two of the parts identified by reference number 37 are indicated.

# List of Abbreviations

**AR:** as required

**ASM:** assembly

**BBC:** blade brake control

**BHTF:** button head thread forming

**CARR:** carriage

**CCW:** counter clockwise

**CW:** clockwise

**DEG:** degrees

**ECM:** electronic control module

**EXT:** external

**FH:** flat head

**GA:** gauge

**HD:** heavy-duty

**HF:** hex flange

**HH:** hex head

**HHF:** hex head flange

**HHFTF:** hex head flange thread forming

**HJ:** hex jam

**HLH:** hex lag head

**HOC:** height-of-cut

**HSBH:** hex socket button head

**HSFH:** hex socket flat head

**HSH:** hex socket head

**HWH:** hex washer head

**HWHTF:** hex washer head thread forming

**HYD:** hydraulic

**LH:** left hand

**LP:** Liquid Propane

**NI:** nylon insert

**NPTF:** national pipe thread fine

**PFH:** phillips flat head

**PPH:** phillips pan head

**PPHTF:** phillips pan head thread forming

**PRH:** phillips round head

**PTH:** phillips truss head

**PTO:** power-take-off

**RH:** right hand

**ROPS:** roll-over protection system

**RRB:** rear roller brush

**SFH:** slotted fillister head

**SHH:** slotted hex head

**SHWH:** slotted hex washer head

**SPH:** slotted pan head

**SQH:** square head

**SRH:** slotted round head

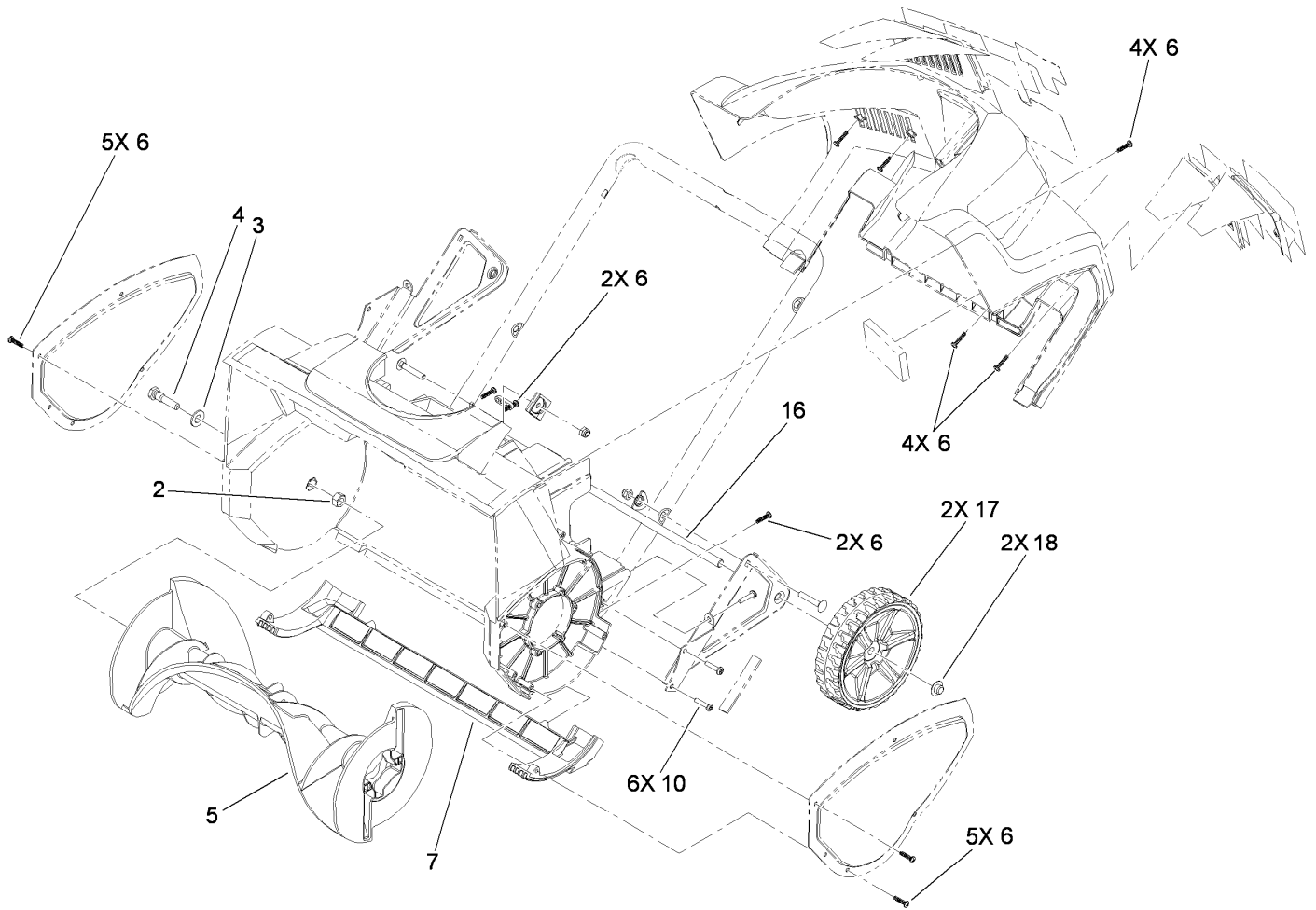
**STD:** standard

**TAP:** self tapping

**TTH:** torx truss head

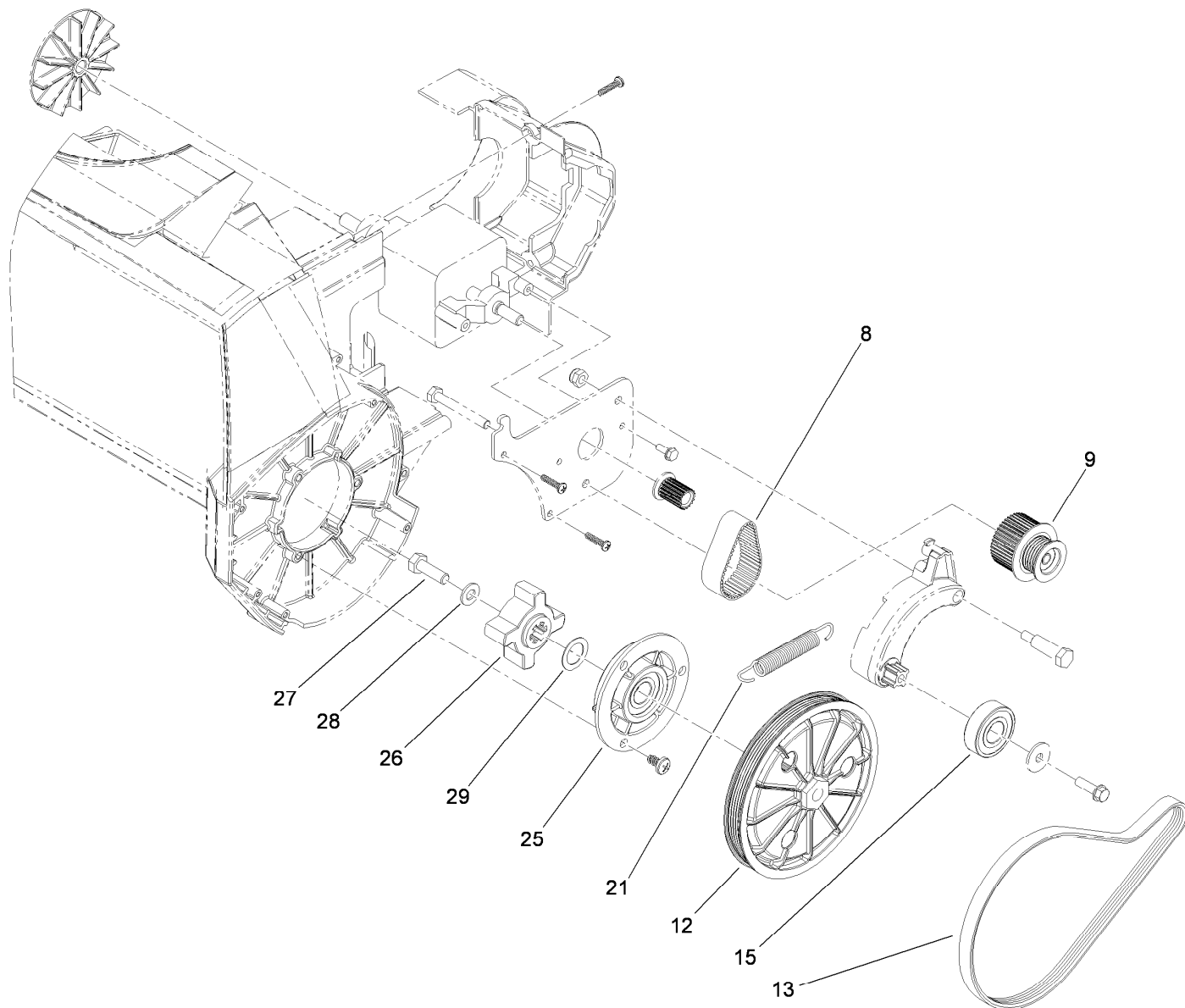
# Contents

- Frame Assembly..... 4
- Drive Assembly..... 5
- Chute Assembly..... 6
- Handle Assembly..... 7



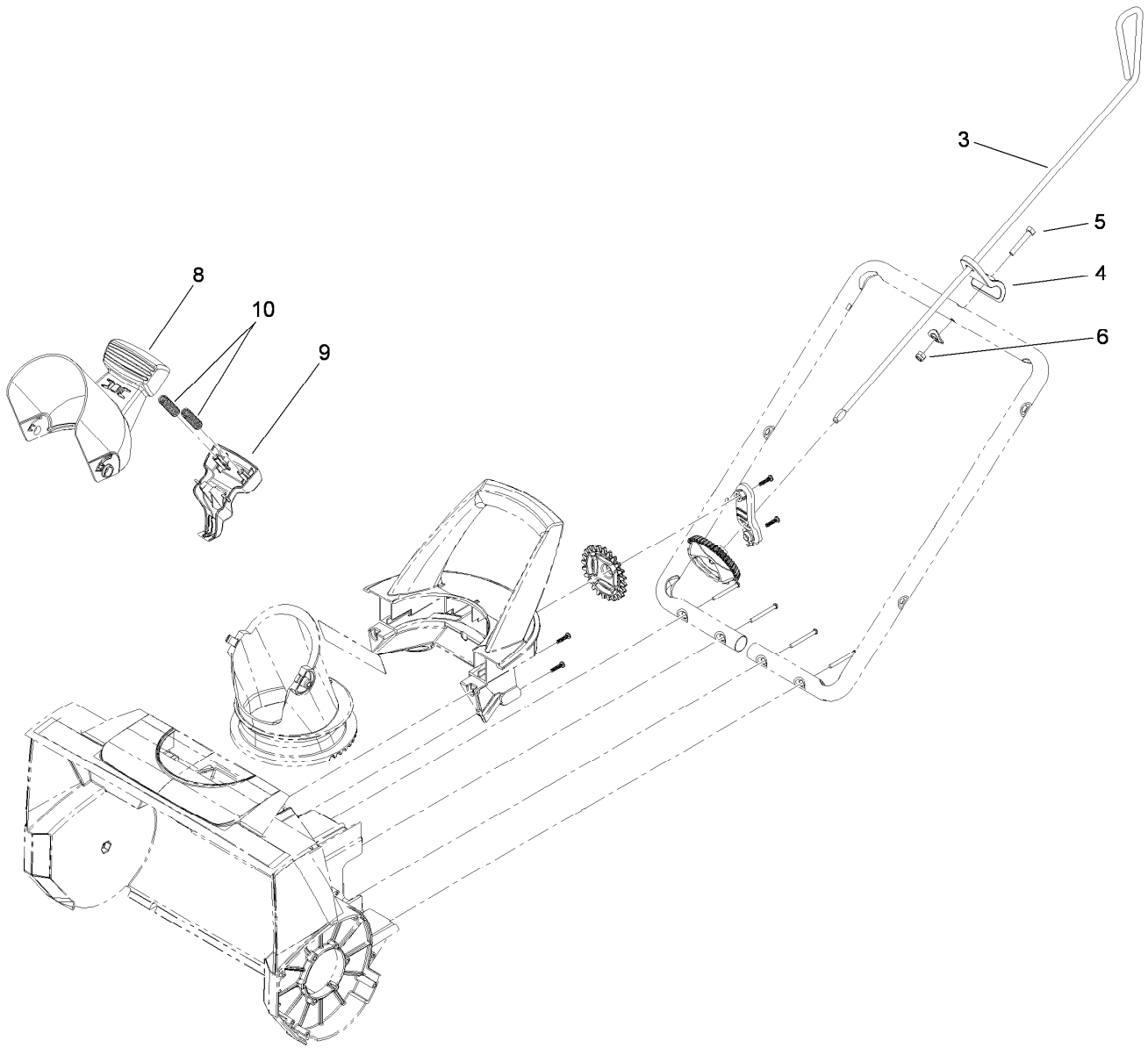
## Frame Assembly

<i>Ref.</i>	<i>Part Number</i>	<i>Qty.</i>	<i>Description</i>
2	32153-11	1	Nut-Lock
3	3256-80	1	Washer-Flat
4	38-8211	1	Pin-Rotor
5	117-8775	1	Rotor ASM
6	94-4496	22	Screw-PPH
7	117-2840	1	Scraper
10	32144-36	6	Screw-PPH
16	114-9208-03	1	Axle-Wheel
17	117-2306	2	Wheel ASM
18	3290-320	2	Retainer-Push On



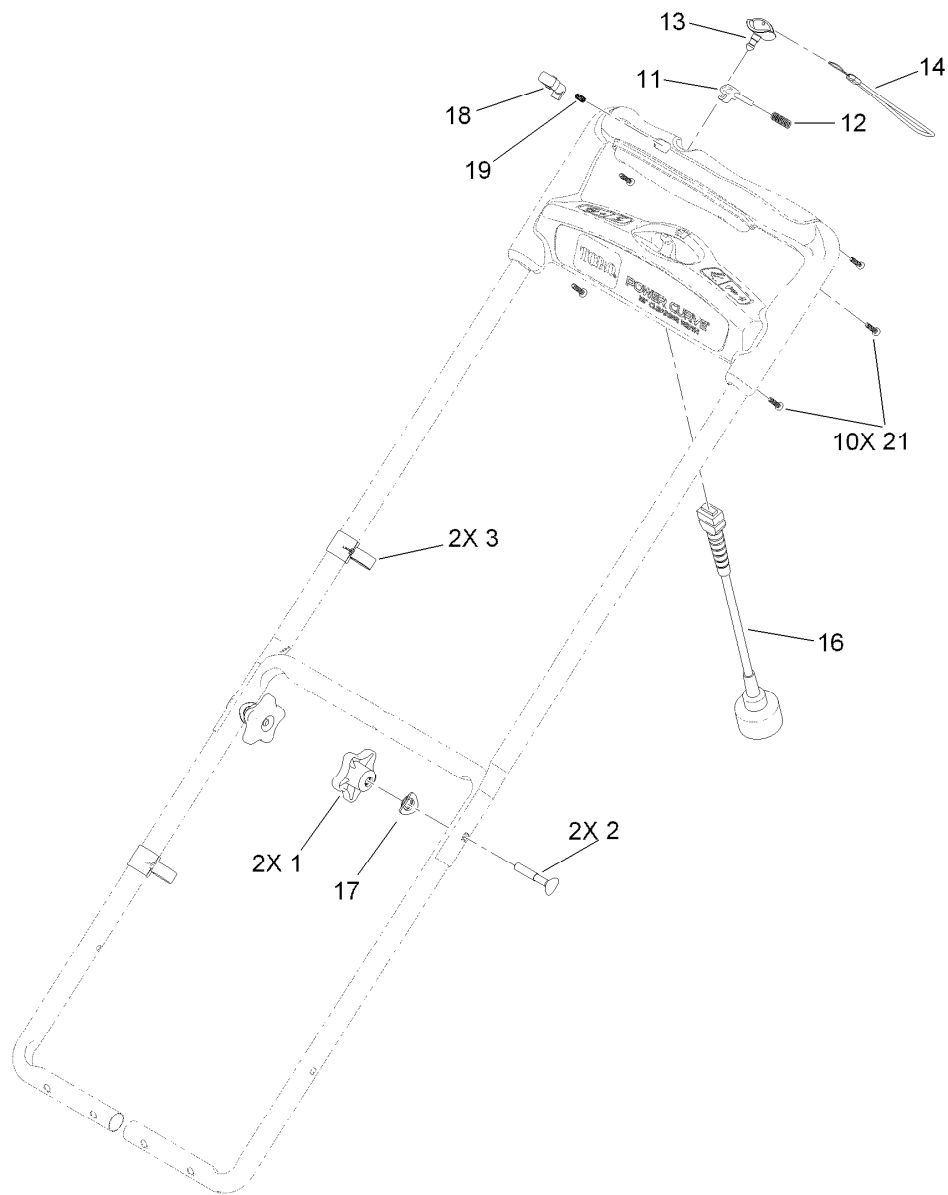
## Drive Assembly

<b>Ref.</b>	<b>Part Number</b>	<b>Qty.</b>	<b>Description</b>
8	73-0160	1	Belt-Pulley, Idler/Driver
9	117-8770	1	Idler Pulley ASM
12	117-8763	1	Pulley ASM
13	115-1192	1	Belt-Drive
15	117-8783	1	Bearing-Ball
21	117-2804	1	Spring-Idler
25	117-2887	1	Pillow Block ASM
26	117-8762	1	Coupler-Pulley
27	117-2888	1	Screw-HH
28	27-9560	1	Spacer
29	7-4650	1	Washer



## Chute Assembly

<b>Ref.</b>	<b>Part Number</b>	<b>Qty.</b>	<b>Description</b>
3	114-9240-03	1	Rod-Control, Chute
4	114-9241	1	Guide-Rod, Chute
5	321-51	1	Screw-HH
6	3296-73	1	Nut-Lock, NI
8	114-9038	1	Chute Deflector ASM
9	117-2314	1	Trigger-Deflector
10	110-9360	2	Spring-Compression



## Handle Assembly

<b>Ref.</b>	<b>Part Number</b>	<b>Qty.</b>	<b>Description</b>
1	117-5976	2	Knob-Handle, Locking
2	112-8876	2	Screw-Handle
3	114-7988	2	Guide-Cable
11	117-8754	1	Lockout-Bar, Control
12	117-8753	1	Spring-Lockout
13	117-8751	1	Key
14	117-2878	1	Cord-Key
16	117-8752	1	Wire ASM
17	107-3844	2	Washer
18	114-9029	1	Button-Safety
19	106-9778	1	Spring-Compression, Safety
21	114-9041	10	Screw



**Count on it.**