



OWNER'S MANUAL

HS720A • HS720AS HS720AM

SNOW THROWER

Before operating the snow thrower for the first time, please read this Owner's Manual. Even if you have operated other snow throwers, take time to become familiar with how this snow thrower works and practice in a safe area until you build up your skills.

QUICK FIND

Auger	12	Add Fuel	6	Check the Oil Level	5
Belt Tension	12	AVOIDING FUEL-RELATED PROBLEMS	19	Scraper Blade	13
How to Contact Honda	20	Maintenance Schedule	11	Spark Plug	12
Dealer Locator Information	20	Oil Change	11	DISTRIBUTOR'S LIMITED WARRANTY	21

CONTENTS

FOR YOUR SAFETY	2	Belt Tension	12	Snow Not Discharging Properly	16
PARTS AND CONTROLS	3	Auger Paddle	13	Engine Stalls When the Clutch Lever is Engaged	16
INITIAL SNOW THROWER SETUP	3	Scraper Blade	13	TECHNICAL INFORMATION	
Assembly	4	Chute Guide Lever Cable (A, AS type)	14	Serial Number Locations	17
BEFORE EACH OPERATION		TRANSPORTING	14	High Altitude Operation	17
Check Your Snow Thrower	5	STORAGE		Emission Control System	17
Check Your Working Area	5	Fuel	14	Air Index	18
Check the Oil Level	5	Oil	14	Specifications	18
Add Fuel	6	Cleaning	15	AVOIDING FUEL-RELATED PROBLEMS	19
OPERATION		Storage Location	15	CUSTOMER INFORMATION	
Operating the Controls	7	Removing From Storage	15	Parts, Accessories, and Service Items	20
Starting the Engine	9	TROUBLESHOOTING		Dealer Locator Information	20
Stopping the Engine	10	Electric Starter Will Not Operate	16	How to Contact Honda	20
SERVICING YOUR SNOW THROWER		Starter Operates but the Engine Will Not Start	16	Honda Publications	20
Maintenance Safety	10	Engine Runs but the Auger Does Not Operate	16	DISTRIBUTOR'S LIMITED WARRANTY	21
Maintenance Schedule	11	Chute Does Not Turn	16	EMISSION SYSTEM WARRANTY	22
Oil Change	11	Engine Has Low Power	16	PRODUCT REGISTRATION	23
Spark Plug	12				
Auger	12				

QUESTIONS?

Contact your Honda dealer.
There is a dealer locator at
www.powerequipment.honda.com

HONDA
Power
Equipment



WELCOME

Congratulations on your selection of a Honda! We are certain you will be pleased with your purchase of one of the finest snow throwers on the market. We want to help you get the best results from your new snow thrower and to operate it safely. This manual contains information on how to do that; please read it carefully.

When your snow thrower needs scheduled maintenance, keep in mind that Honda Power Equipment servicing dealership personnel are specially trained in servicing Honda snow throwers and are supported by the parts and service divisions of American Honda.

Please read the *DISTRIBUTOR'S LIMITED WARRANTY* on page 21 and the *EMISSION CONTROL SYSTEM WARRANTY* on page 22 to fully understand what is covered by warranty and your responsibilities of ownership.


FOR YOUR SAFETY

Your safety and the safety of others are very important. We have provided important safety messages in this manual and on the snow thrower. This information alerts you to potential hazards that could hurt you or others. Please read these messages carefully.

Of course, it is not practical or possible to warn you about all the hazards associated with operating or maintaining a snow thrower. You must use your own good judgment.

Safety Instructions

You will find important safety information in a variety of forms:

- **Safety Labels** – on the snow thrower.
- **Instructions** – how to use this snow thrower correctly and safely.
- **Safety Messages** – preceded by a safety alert  symbol and one of three signal words: DANGER, WARNING, or CAUTION. Each message tells you what the hazard is, what can happen, and what you can do to avoid or reduce injury. These signal words mean:

DANGER

You **WILL** be KILLED or SERIOUSLY HURT if you don't follow instructions.

WARNING

You **CAN** be KILLED or SERIOUSLY HURT if you don't follow instructions.

CAUTION

You **CAN** be HURT if you don't follow instructions.

- **Damage Prevention Messages** – You will also see other important messages that are preceded by the word NOTICE. This word means:

NOTICE

Your snow thrower or other property can be damaged if you don't follow instructions.



WARNING



The engine exhaust from this product contains chemicals known to the State of California to cause cancer, birth defects, or reproductive harm.

California Proposition 65

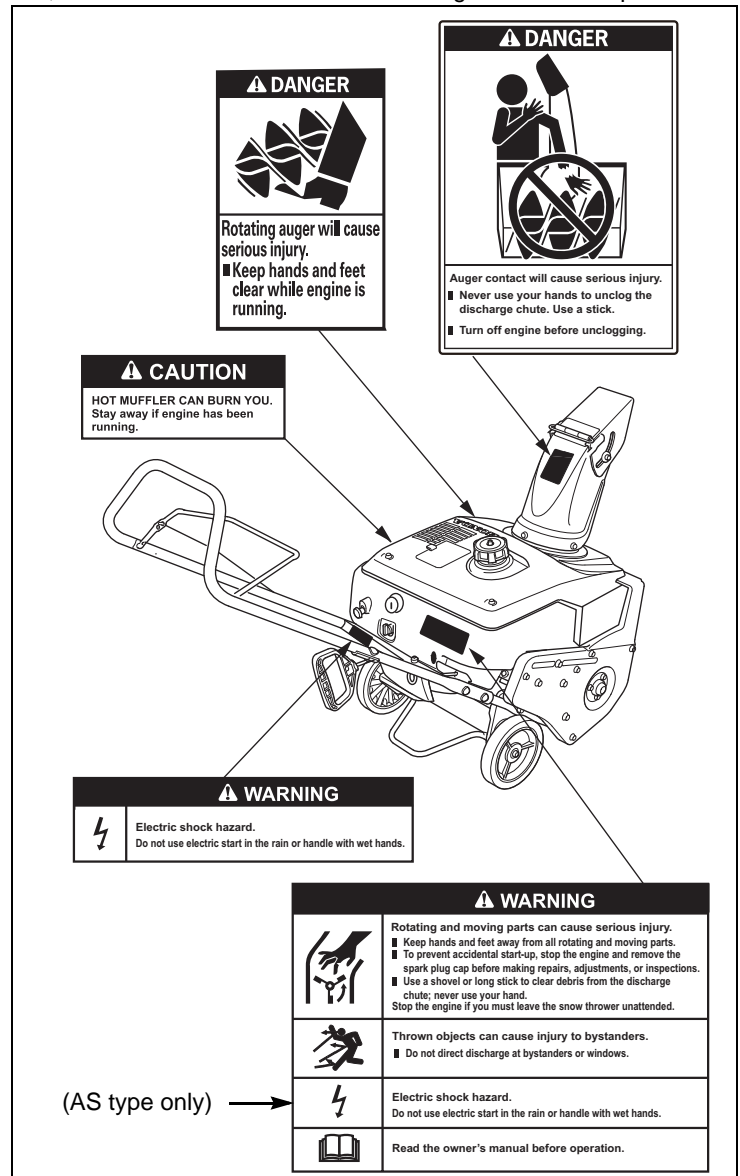
This product contains or emits chemicals known to the State of California to cause cancer, birth defects or other reproductive harm.

Important Message to Parents

The safety of your children is very important to Honda. Snow throwers are tools, not toys. As with any equipment, bad judgments can result in serious injuries. Your child must be big enough, strong enough, and have the coordination necessary to comfortably reach and operate the controls. Anyone who takes unnecessary risks and doesn't obey rules should not operate this snow thrower.

Safety Label Locations

These labels warn you of potential hazards that can cause serious injury. Read them carefully. If a label comes off or becomes hard to read, contact an authorized Honda servicing dealer for a replacement.



PARTS AND CONTROLS

INITIAL SNOW THROWER SETUP

Tools Required

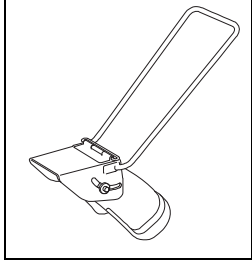
12 mm wrench, 10 mm wrench, and a Phillips screwdriver (AM type only)

List of Loose Parts

With help from an assistant, carefully remove the snow thrower and loose parts from the carton and compare the loose parts against the following list. Contact the authorized Honda dealer from whom you purchased the snow thrower if any of the loose parts shown are not included with your snow thrower.

Ref. No.	Description	Qty.
①	Chute guide and handle (AM type only)	1
②	6 mm flange bolt (AM type only)	3
③	6 mm self-locking nut (AM type only)	3
④	Key (AS type only)	2
⑤	Honda Genuine oil (16 oz)	1
⑥	Owner's Manual	1

CHUTE HANDLE (AM type)



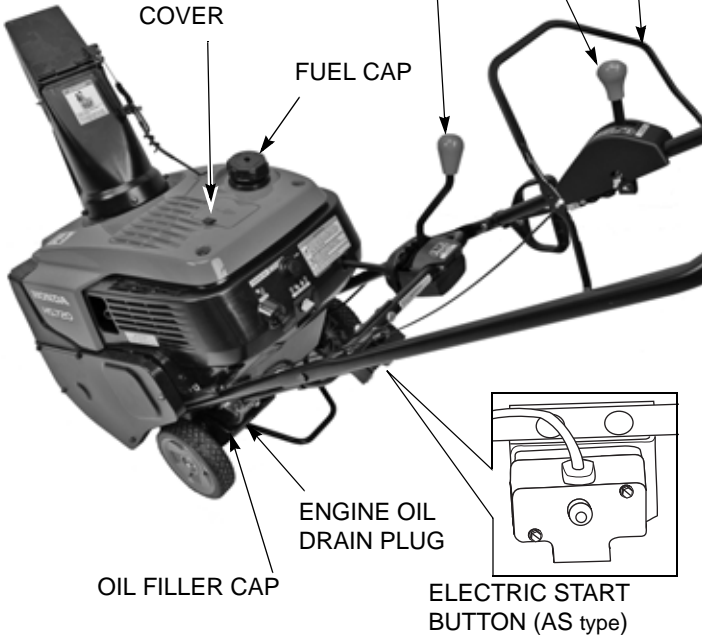
CHUTE GUIDE CONTROL (A, AS type)

AUGER CLUTCH LEVER

CHUTE TURN CONTROL (A, AS type)

SPARK PLUG COVER

FUEL CAP



ENGINE OIL DRAIN PLUG

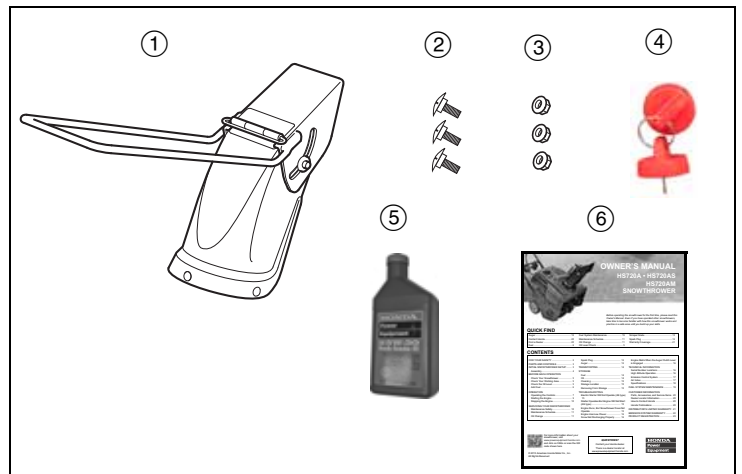
OIL FILLER CAP

ELECTRIC START BUTTON (AS type)

(AS type)

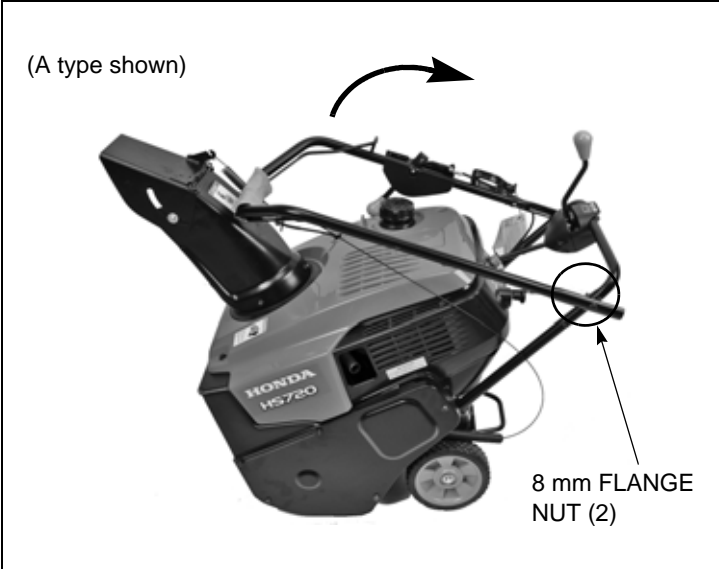


(A, AM type)



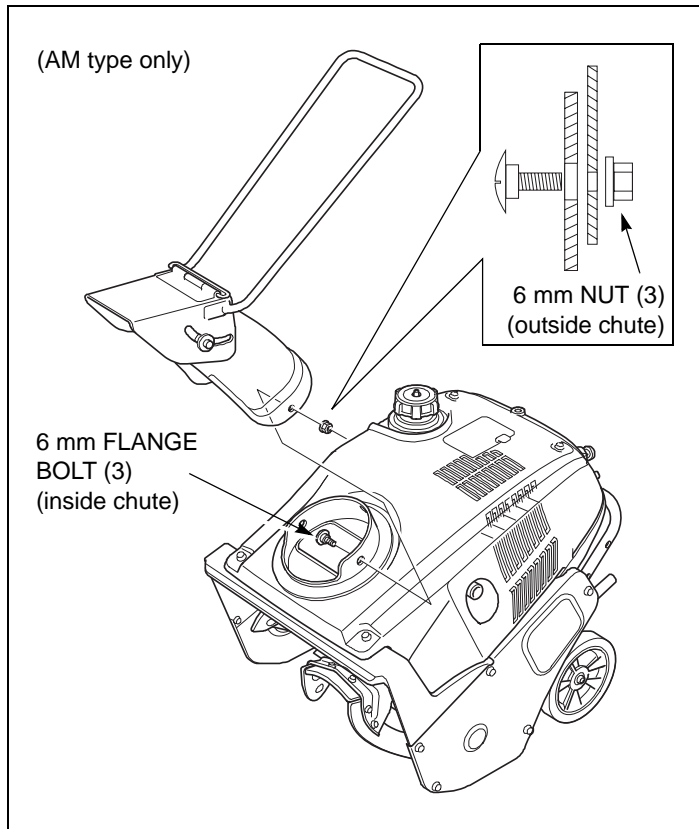
Assembly

1. Loosen the two 8 mm flange nuts.
2. Raise the handlebar into position and then tighten the two 8 mm flange nuts securely.

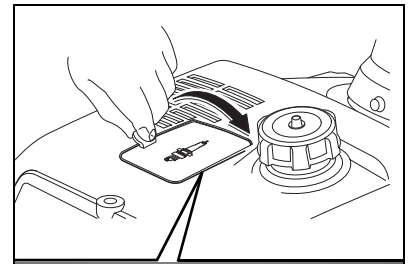


3. **AM type only:** Install the discharge chute using the three 6 mm flange bolts and 6 mm self-locking nuts. Make sure the bolt head goes on the inside and the nuts on the outside. Tighten the nuts to the specified torque:

TORQUE: 7 ft-lbs (10 N•m).



4. Lift the spark plug door and attach the spark plug cap to the spark plug.



5. Remove any packing material from the handlebar and side of the snow thrower.



Add Engine Oil

1. The snow thrower is shipped **WITHOUT OIL** in the engine.
2. With the snow thrower on a level surface, remove the oil filler cap/dipstick.
3. Add oil from the included bottle of oil into the oil filler opening to the top of the filler opening (upper limit).

All Honda engines are run at the factory prior to packaging. Most of the oil is removed prior to shipment; however, some oil remains in the engine. The amount of oil left in the engine varies.

4. If you don't use the supplied oil, add enough recommended oil ([page 12](#)) to bring the oil level to the top of the oil filler opening.
5. Do not overfill the engine with oil. After filling the engine with oil, screw the filler/cap dipstick in and remove the hang tag near the recoil starter grip that says "The engine has no oil".



Please Register Your Snow Thrower

Please take a few minutes and register your purchase with Honda.

You can register by completing and mailing the registration card on the back cover of this book or going on-line to www.powerequipment.honda.com and clicking on Product Registration.

Before Using Your Snow Thrower

Before using the snow thrower, all operators must read the following sections:

- **FOR YOUR SAFETY** ([page 2](#))
- **BEFORE EACH OPERATION** ([page 5](#))
- **OPERATION** ([page 6](#))
- **MAINTENANCE SCHEDULE** ([page 11](#))

BEFORE EACH OPERATION

Your safety is your responsibility. A little time spent in preparation will significantly reduce your risk of injury.

Read and understand this manual. Know what the controls do and how to operate them.

Familiarize yourself with the snow thrower and its operation before you begin using it. Know how to quickly shut off the snow thrower in case of an emergency.

Check Your Snow Thrower

For your safety, and to maximize the service life of your snow thrower, it is very important to take a few moments before you operate the snow thrower to check its condition. Be sure to take care of any problem you find, or have your servicing dealer correct it, before you operate the snow thrower.

⚠ WARNING

Improperly maintaining this snow thrower, or failing to correct a problem before operation, could cause a malfunction in which you could be seriously injured.

Always perform a pre-operation inspection before each operation, and correct any problem.

- Make sure the snow thrower is on a level surface.
- Look around and underneath the snow thrower for signs of oil or gasoline leaks.
- Look for signs of damage.
- Check each control for proper operation.
- Check the auger paddles for wear. Replace as necessary ([page 13](#)).
- Check the scraper blade for wear. Replace as necessary ([page 13](#)).
- Check that all nuts, bolts, and screws are tightened.
- Check the oil level ([page 5](#)).
- Check the fuel level ([page 6](#)). Starting with a full tank will help to eliminate or reduce operating interruptions for refueling.

Check Your Working Area

For your safety and the safety of others, always inspect the area before operating the snow thrower.

Anything that can be picked up by the auger blades and thrown is a potential hazard to you and others. Look for things like stones, sticks, nails, and wire, and remove them from the area.

People and animals near the area can move into your path or into a position where they could be struck by thrown objects. Clear the area of pets and people, especially children. Their safety is your responsibility.

Check the condition of the snow. Adjust your snow throwers ground speed and swath accordingly.

Check the Oil Level

1. With the snow thrower on a level surface, remove the oil filler cap/dipstick and wipe it clean.
2. Insert and remove the dipstick **without screwing it into the filler neck**. Make sure oil is showing on the dipstick.
3. If the oil level is low, add enough recommended oil to bring the level to the top of the oil filler opening.

Do not overfill. For oil recommendations, see [page 12](#).

NOTICE

Running the engine with a low oil level can cause engine damage.

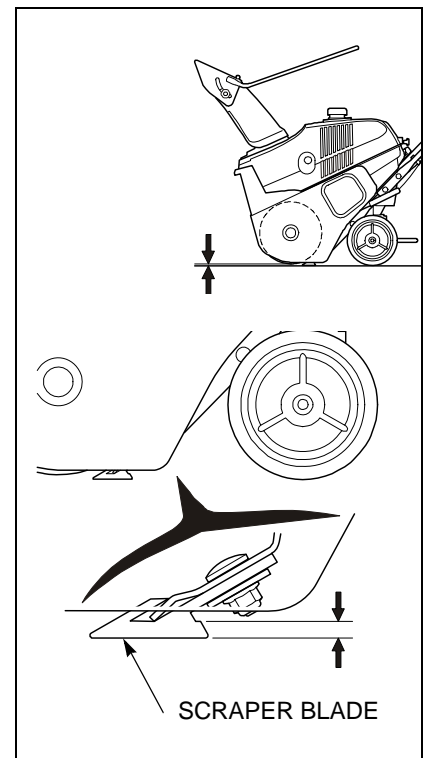
4. Screw in the filler cap/dipstick securely.



Check the Scraper Blade

Check the scraper blade for excessive wear.

Refer to "Scraper Blade" on [page 13](#) for complete inspection and adjustment procedures.



Add Fuel

This engine is certified to operate on regular gasoline with a pump octane rating of 86 or higher.

Never use stale or contaminated gasoline or an oil/gasoline mixture. Avoid getting dirt or water in the fuel tank.

You may use regular unleaded gasoline containing no more than 10% ethanol (E10) or 5% methanol by volume. In addition, methanol must contain cosolvents and corrosion inhibitors.

Use of fuels with content of ethanol or methanol greater than shown above may cause starting and/or performance problems. It may also damage metal, rubber, and plastic parts of the fuel system.

Engine damage or performance problems that result from using a fuel with percentages of ethanol or methanol greater than shown above are not covered under warranty.

⚠ WARNING

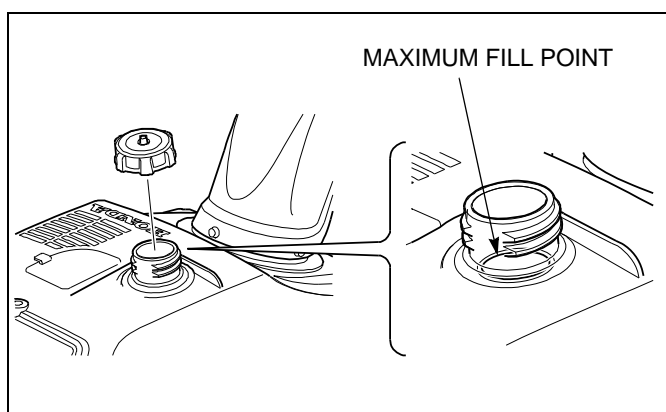
Gasoline is highly flammable and explosive, and you can be burned or seriously injured when refueling.

- Stop the engine and keep heat, sparks, and flame away.
- Refuel only outdoors.
- Wipe up spills immediately.

NOTICE

If your equipment will be used on an infrequent or intermittent basis, (more than 4 weeks before next use), refer to "AVOIDING FUEL-RELATED PROBLEMS" on [page 19](#) for information regarding fuel deterioration.

1. Remove the fuel tank cap.
2. Add fuel to the shoulder of the filler neck. Do not overfill. Wipe up spilled fuel before starting the engine.



3. Tighten the fuel tank cap securely.
Move the snow thrower at least 10 feet (3 meters) away from the fueling source and site before starting the engine.

NOTICE

Fuel can damage paint and plastic. Be careful not to spill fuel when filling your fuel tank. Damage caused by spilled fuel is not covered by the DISTRIBUTOR'S LIMITED WARRANTY ([page 21](#)).

OPERATION

Honda snow throwers are designed to clear snow from driveways and walkways. Other uses can result in injury to the operator or damage to the snow thrower and other property.

Most injuries and property damage with snow throwers can be prevented if you follow all instructions in this manual and on the snow thrower. The most common hazards are discussed below, along with the best way to protect yourself and others.

Avoid Rotating Auger

The snow thrower auger can cause serious cuts and even amputate fingers, hands, toes, or feet. Keep away from the auger whenever the engine is running. If you need to work around the snow thrower to clear snow for any reason, always shut off the engine. If the snow discharge chute becomes clogged, stop the engine and disconnect the spark plug cap. Use a wooden stick to remove the obstruction. Never put your hand into the snow discharge chute while the engine is running; serious personal injury could result.

Clear Operation Area

The snow thrower can throw rocks and other objects with enough force to cause serious injury. Before operating the snow thrower, carefully inspect the area and remove all obvious hazards. Never use the snow thrower to clear snow from a gravel road or driveway, as rocks may be picked up and ejected. They may cause injury to bystanders.

Keep Shields in Place

Guards and shields are designed to protect you from being hit by thrown objects and to keep you from touching hot engine parts and moving components. For your safety and the safety of others, keep all shields in place when the engine is running.

Adjust the snow discharge chute to avoid hitting the operator, bystanders, windows, and other objects with ejected snow. Stay clear of the snow discharge chute while the engine is running.

Children and pets must be kept away from the area of operation to avoid injury from flying debris and contact with the snow thrower.

Refuel with Care

Gasoline is extremely flammable, and gasoline vapor can explode. Allow the engine to cool if the snow thrower has been in operation. Refuel only outdoors in a well-ventilated area with the engine OFF. Never fill the fuel tank beyond the maximum fill mark. Never smoke near gasoline, and keep other flames and sparks away. Always store gasoline in an approved container.

Turn Engine Off When Not Operating the Snow Thrower

If you need to leave the snow thrower for any reason, even just to inspect the area ahead, always turn the engine off.

Operation on Slopes

To avoid overturning, be careful when changing the direction of the snow thrower while operating it on a slope. Do not use the snow thrower to remove snow from roofs. The snow thrower may overturn on steep slopes if left unattended, causing injury to the operator or bystanders.

Do not operate on slopes greater than 20°.

Operating Conditions

Do not use the snow thrower when visibility is poor. Under conditions of poor visibility, there is a greater risk of striking an obstacle or causing injury. Adjust the snow discharge chute to avoid hitting passing bystanders or vehicles. Stay clear of the snow discharge chute while the engine is running.

Operator Responsibility

Know how to stop the snow thrower quickly in case of emergency. Understand the use of all snow thrower controls.

Never permit anyone to operate the snow thrower without proper instruction. Do not let children operate the snow thrower. If people or pets suddenly appear in front of the snow thrower while it is in operation, immediately release the drive clutch lever to stop the snow thrower and avoid possible injury from the rotating auger.

While operating the snow thrower, hold the handle firmly, and walk, don't run. Wear suitable winter boots that resist slipping.

Hot Exhaust

The muffler becomes very hot during operation and remains hot for a while after stopping the engine. Be careful not to touch the muffler while it is hot. Let the engine cool before transporting the snow thrower or storing it indoors.

To prevent fire hazards, keep the snow thrower at least 3 feet (1 meter) away from building walls and other equipment during operation. Do not place flammable objects close to the engine.

Carbon Monoxide Hazards

Exhaust contains poisonous carbon monoxide, a colorless and odorless gas. Breathing carbon monoxide can cause loss of consciousness and may lead to death.

For your safety, do not operate the engine in an enclosed or partially enclosed area such as a garage. Your snow thrower's exhaust contains poisonous carbon monoxide gas which can collect rapidly in an enclosed or partially enclosed area and cause illness or death.

⚠ WARNING

Engine exhaust contains poisonous carbon monoxide gas that can build up to dangerous levels in an enclosed or partially enclosed area. Breathing carbon monoxide can cause unconsciousness and death.

Never run the snow thrower in an enclosed or partially enclosed area.

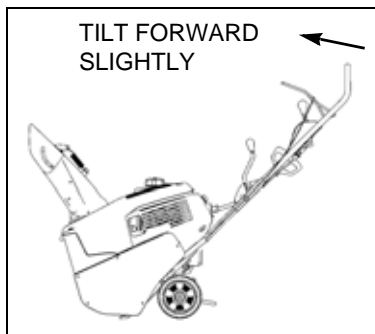
Clearing a Clogged Discharge Chute

Never use your hands, even with gloves, to clear the discharge chute.

Stop the engine and wait for the blades to stop turning. Use a clean-out tool, like a wooden stick, to unclog the discharge chute.

Semi-Self Propel Operation

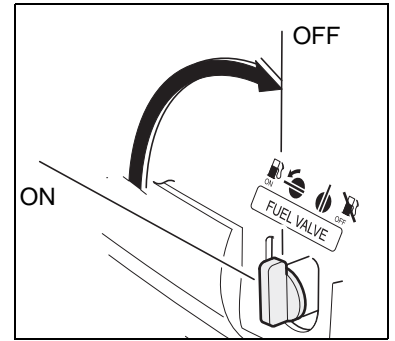
To propel the snow thrower, tilt the handlebar forward (UP) slightly to allow the auger blades to contact the ground and provide propel assist. Tilt the handlebar back (DOWN) to slow or stop the propel assist.



Operating the Controls

Fuel Valve

The fuel valve opens and closes the fuel line leading from the fuel tank to the carburetor. Make sure that the fuel valve is positioned exactly at either the ON or OFF position. When the snow thrower is not in use, always leave the fuel valve in the OFF position to reduce the possibility of fuel leakage.

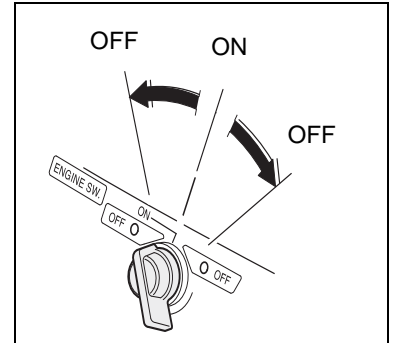


Engine Switch (A, AM type)

The engine OFF-ON-OFF switch controls the ignition system.

OFF — Stops the engine.

ON — Starting and running.

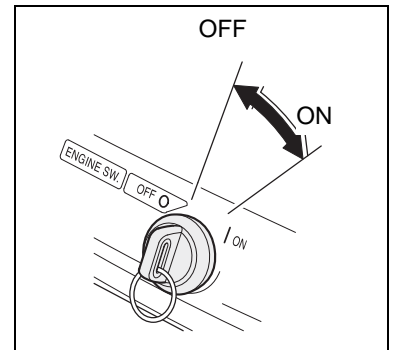


Engine Key Switch (AS type)

The engine ON-OFF key switch controls the ignition system.

OFF — Stops the engine.

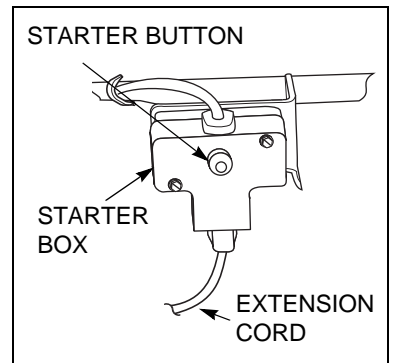
ON — Starting and running (using recoil or electric starter).



Electric Starter Button (AS type)

The starter button is used to operate the electric starter when an outdoor 3-prong extension cord (page 9) is plugged into the starter box.

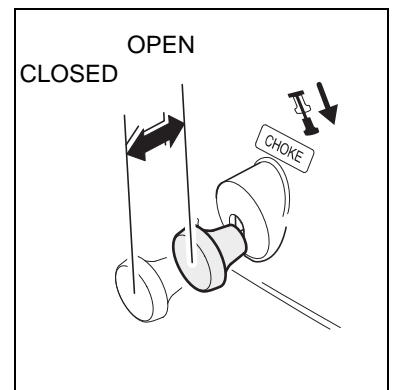
Disconnect the extension cord after the engine starts.



Choke Knob

The choke knob is used to open or close the choke. CLOSED is used when the engine is cold.

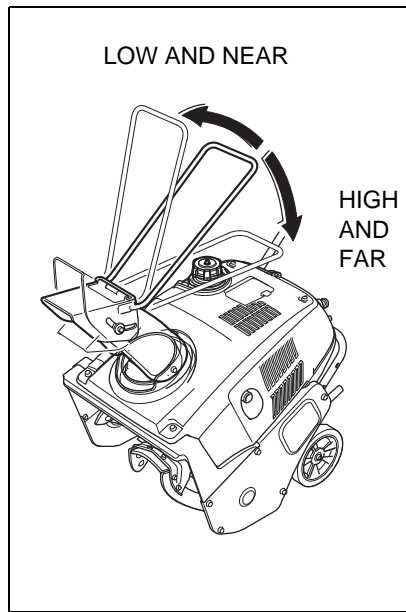
The OPEN position provides the correct fuel mixture for operation after the engine has warmed up, and for starting a warm engine.



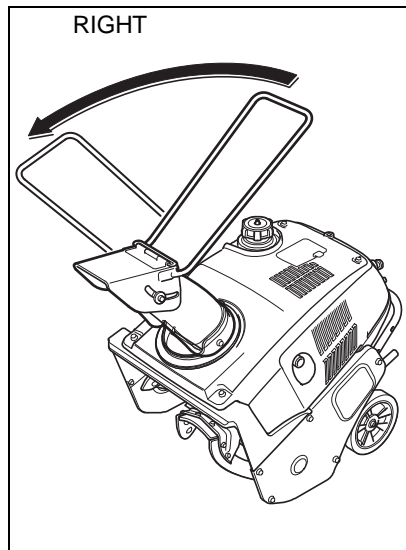
Chute Guide Handle (AM type)

Use this control to guide the snow discharge angle and direction.

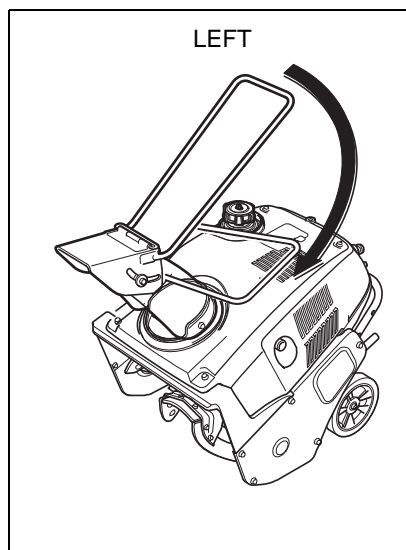
Move guide handle UP or DOWN to change the distance of snow discharge.



Move guide handle RIGHT to direct snow discharge to the left.



Move guide handle LEFT to direct snow discharge to the right.



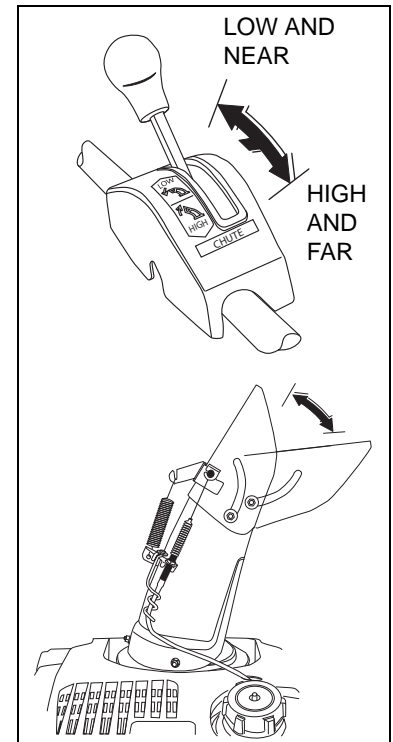
Remote Chute Guide Control (A, AS type)

The remote chute guide control moves the discharge chute UP or DOWN to change the distance of snow discharge.

FORWARD – Low and near

REARWARD – High and far

To move the lever, push left slightly out of the detent and then forward or rearward.



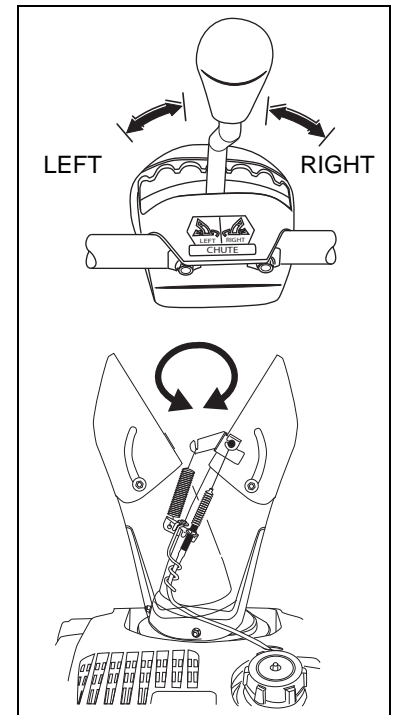
Remote Chute Turn Control (A, AS type)

The remote turn control moves the discharge chute LEFT or RIGHT to change the direction of snow discharge.

LEFT – Discharge left

RIGHT – Discharge right

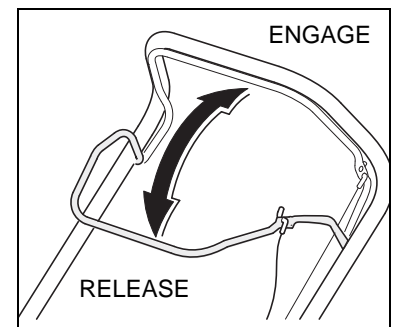
To move the lever, pull back slightly out of the detent and then left or right.



Auger Clutch Lever

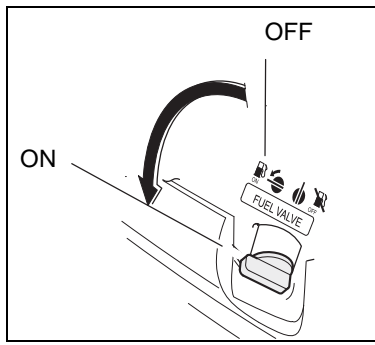
When this lever is engaged, the snow thrower auger paddles begin to spin and the snow thrower may move forward.

Engaging the auger clutch lever on cleared ground may cause the snow thrower to move forward suddenly.

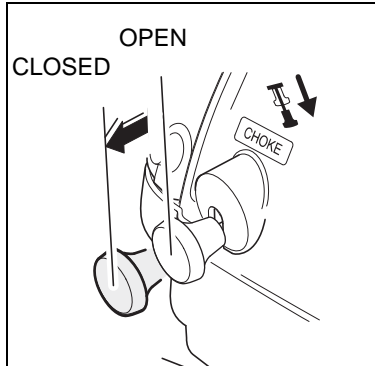


Starting the Engine

1. Turn the fuel valve to the ON position.

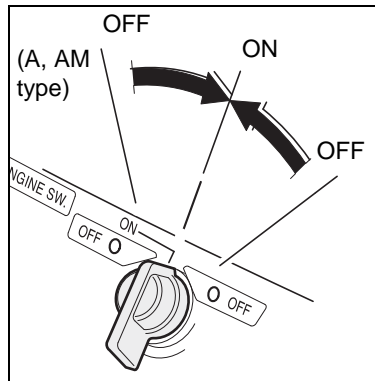


2. If the engine is cold, pull the choke knob out to the CLOSED position.



Manual Recoil Starter

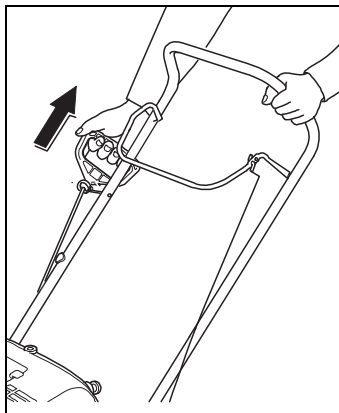
1. Turn the engine switch to the ON position.



2. Pull the starter grip slowly until you feel resistance, then pull briskly.
3. Return the starter grip gently.

NOTICE

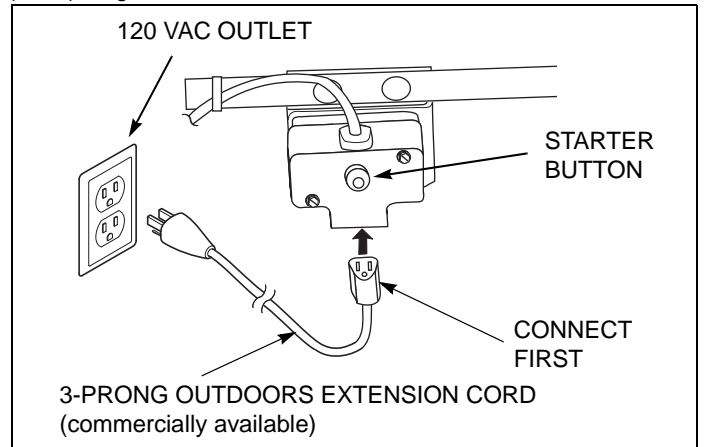
To prevent damage to the recoil starter, do not allow the starter grip to snap back against the starter bracket. Return it gently to prevent damage. Do not pull the starter grip while the engine is running. The starter could be damaged.



4. Let the engine warm up for several minutes. If the choke knob has been pulled to the CLOSED position to start the engine, gradually push it to the OPEN position as the engine warms.

Electric Starter (AS type)

1. Connect an outdoors 3-prong extension cord (commercially available) to the starter box first, and then to a 120 volt ac outlet. Use only a UL-listed, 16 gauge (minimum), 3-prong power cord rated for outdoor use. This power cord must have a minimum power rating of 15 amps and should be no longer than 50 ft. (15 m) long.

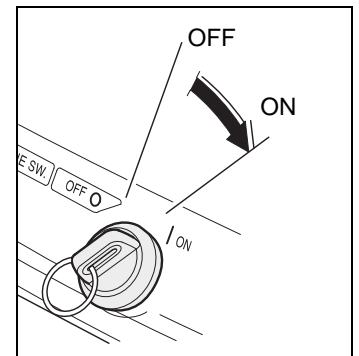


- Do not connect and disconnect the power cord with wet hands. Do not use in the rain.
- Be sure to hold the plug when disconnecting the power cord from the electrical outlet or starter box. Do not disconnect by pulling on the power cord.

2. Turn the engine switch to the ON position.
3. Push the starter button until the engine starts. After the engine starts, disconnect the power cord from the electrical outlet, and then from the starter box.

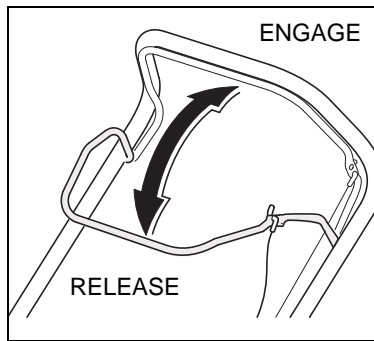
NOTICE

To prevent damage to the starter, do not operate the starter for more than 15 seconds. If the engine fails to start, release the button and allow the starter to cool for 10 seconds before operating it again.

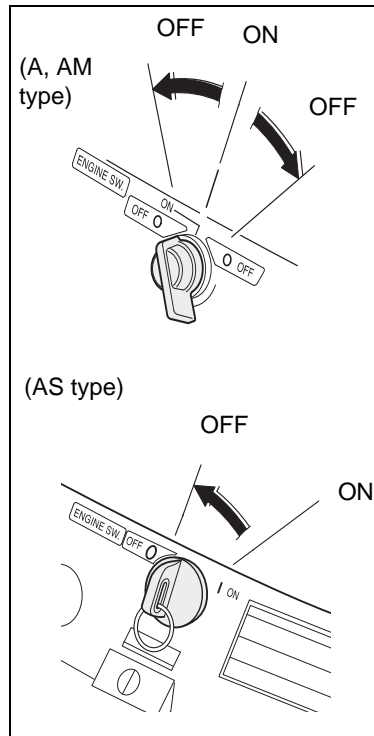


Stopping the Engine

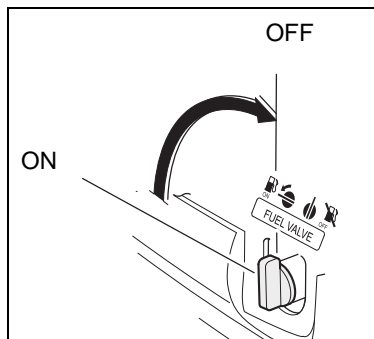
1. Release the auger clutch lever.



2. Turn the engine or key switch to the OFF position.



3. Turn the fuel valve to the OFF position.



SERVICING YOUR SNOW THROWER

Proper maintenance is essential for safe, economical, and trouble-free operation. It also helps reduce air pollution.

⚠ WARNING

Improper maintenance, or failure to correct a problem before operation, can cause a malfunction in which you can be seriously hurt or killed.

Always follow the inspection and maintenance recommendations and schedules in this owner's manual.

To help you properly care for your snow thrower, the following pages include a maintenance schedule, routine inspection procedures, and simple maintenance procedures using basic hand tools. Other service tasks that are more difficult or require special tools are best handled by professionals and are normally performed by a Honda technician or other qualified mechanic.

The maintenance schedule applies to normal operating conditions. If you operate your snow thrower under severe conditions, such as sustained high load, high temperature, or unusually wet conditions, consult your servicing dealer for recommendations applicable to your individual needs and use.

Remember that an authorized Honda servicing dealer knows your snow thrower best and is fully equipped to maintain and repair it. To ensure the best quality and reliability, use only new, Honda Genuine parts or their equivalents for repair and replacement.

Maintenance, replacement, or repair of the emission control devices and systems may be performed by any engine repair establishment or individual, using parts that are "certified" to EPA standards.

Maintenance Safety

Some of the most important safety precautions follow. However, we cannot warn you of every conceivable hazard that can arise in performing maintenance. Only you can decide whether or not you should perform a given task.

⚠ WARNING

Failure to properly follow maintenance instructions and precautions can cause you to be seriously hurt or killed.

Always follow the procedures and precautions in this manual.

Safety Precautions

- Make sure the engine is off before you begin any maintenance or repairs. This will eliminate several potential hazards:
 - **Carbon monoxide poisoning from engine exhaust.**
Be sure there is adequate ventilation whenever you operate the engine.
 - **Burns from hot parts.**
Let the engine and exhaust system cool before touching.
 - **Injury from moving parts.**
Do not run the engine unless instructed to do so.
- Read the instructions before you begin, and make sure you have the tools and skills required.
- To reduce the possibility of fire or explosion, be careful when working around gasoline. Use only a nonflammable solvent, not gasoline, to clean parts. Keep cigarettes, sparks, and flames away from all fuel-related parts.

Maintenance Schedule

Item	Action	Before each use	Every year - Before operation	Every year - Before storage	After initial 5 hours	Every 50 hours of use	Every 100 hours of use	Every 150 hours of use	See page
Engine oil	Check	○							5
	Change		○ (1)		○	○			11
Spark plug	Check		○	○			○		12
	Replace							○	
Auger clutch lever freeplay	Check-Adjust		○						12
Chute guide lever cable (A, AS type only)	Check-adjust		○						12
Auger paddles	Check		○						13
Scraper blade	Check-Adjust	○	○						13
Engine speed	Check-Adjust						○ (2)		—
Valve clearance	Adjust						○ (2)		—
Chute tension bolts (AM type only)	Grease			○					15
Fuel tank & carburetor	Drain			○					15
Fuel tank & fuel filter	Clean							○ (2)	—
Fuel lines	Check	Check every 2 years and replace if necessary (2)							—

(1) These parts may require more frequent inspection and replacement under heavy use.

(2) These items should be serviced by an authorized Honda servicing dealer unless you have the proper tools and are mechanically proficient. Refer to the Honda shop manual for service procedures. See "Honda Publications" on [page 20](#) for ordering information. Failure to follow this maintenance schedule could result in non-warrantable failures.

Oil Change

Change the oil after the initial 5 hours of use. Thereafter, change the oil every 6 months or 50 hours of use. Change the oil more frequently when used under heavy load. See "Engine Oil Recommendations" on the following page for recommended oil properties.

Drain the used oil while the engine is warm. Warm oil drains quickly and completely.

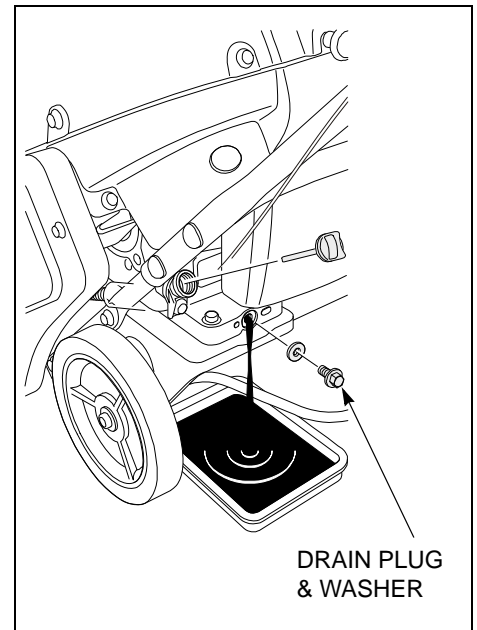
1. Place the snow thrower on a level surface.
2. Place a suitable container below the drain bolt to catch the used oil, and then remove the oil filler cap/dipstick and the drain plug. Allow the oil to drain completely.
3. Reinstall the drain plug using a new drain plug washer.
4. After draining, take the oil to your local recycling center or service station. Do not throw it in the trash, pour it on the ground, or pour it down a drain.

5. With the engine in a level position, fill with the recommended oil. Do not overfill. Allow a couple of minutes for the oil to settle in the engine, and then measure the oil level ([page 5](#)).

NOTICE

Using nondetergent oil can shorten the engine's service life, and using 2-stroke oil can damage the engine.

6. Screw in the oil filler cap/dipstick securely.

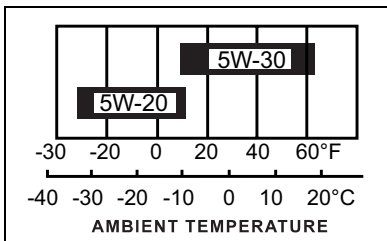


Engine Oil Recommendations

Oil is a major factor affecting performance and service life. Always change the oil in accordance with the *MAINTENANCE SCHEDULE* (page 11).

Recommended oil for general use: SAE 5W-30

Other viscosities shown in the chart may be used when the average temperature in your area is within the recommended range.



The SAE oil viscosity and service classification are in the API label on the oil container.

Honda recommends API service category SJ or later oil.

Spark Plug

Replace the spark plug every 150 hours of use.

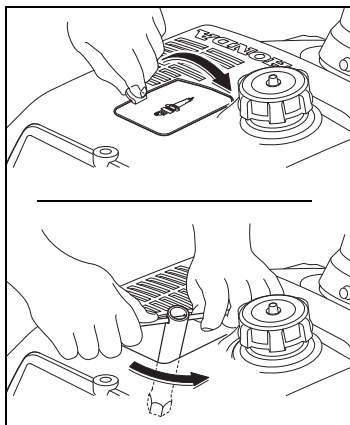
Recommended Spark Plug: NGK - BPR5ES

NOTICE

An incorrect spark plug can cause engine damage.

For good performance, the spark plug must be properly gapped and free of deposits.

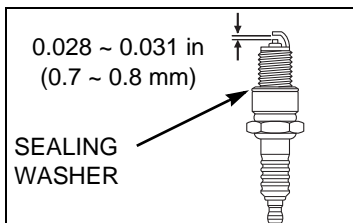
1. Allow the engine to cool, open the spark plug access panel, and then remove the spark plug cap. Use a commercially available spark plug wrench or socket to remove the spark plug.
2. Inspect the spark plug. Replace it if the electrodes are worn, or if the insulator is cracked or chipped.



3. Measure the spark plug electrode gap with a suitable gauge.

Gap: 0.028 ~ 0.031 in (0.7 ~ 0.8 mm).

Correct the gap, if necessary, by carefully bending the side electrode.



4. Install the spark plug carefully, by hand, to avoid cross-threading.
5. After the spark plug seats, tighten with a spark plug wrench to compress the washer.

If reinstalling the old spark plug, tighten 1/8 to 1/4 turn after the spark plug seats. If installing a new spark plug, tighten 1/2 turn after the spark plug seats.

NOTICE

A loose spark plug can overheat and damage the engine. Overtightening the spark plug can damage the threads in the cylinder head.

6. Install the spark plug cap on the spark plug and close the spark plug access cover.

Auger

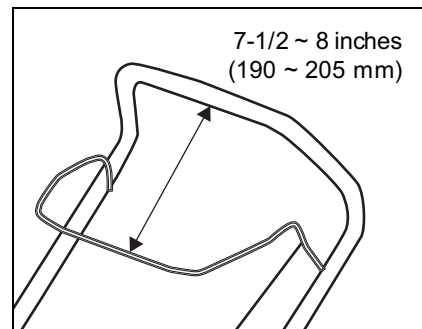
Clutch Lever Free Play

Inspection

Move the clutch lever until you feel resistance from the cable. Measure the distance as shown.

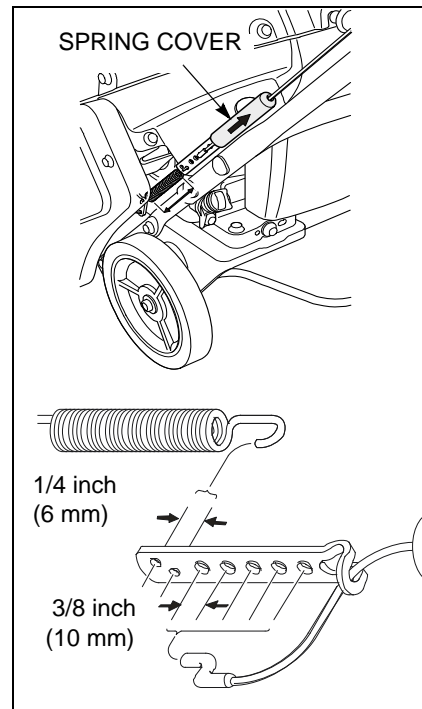
CLUTCH LEVER DISTANCE:

7-1/2 ~ 8 inches (190 ~ 205 mm)



Adjustment

1. Pull the spring cover up to expose the tension spring.
2. Change the position of either the cable or spring on the metal plate so the clutch lever distance is correct.
 - Moving the spring makes a 1/4 inch (6 mm) change in the cable length
 - Moving the cable makes a 3/8 inch (10 mm) change in the cable length
3. Slide the cover back over the spring.



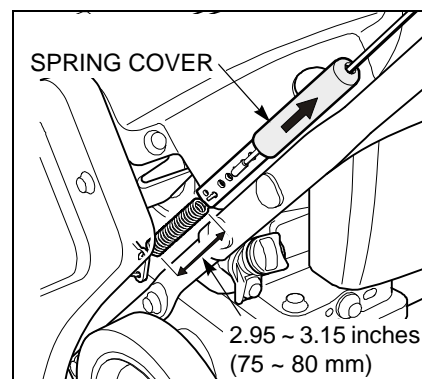
Belt Tension

Inspection

Pull the spring cover up to expose the belt tension spring. Have a helper engage the auger clutch lever. Measure the length of the exposed clutch spring coils.

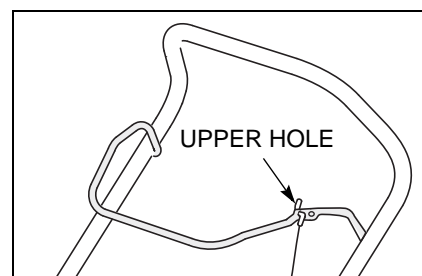
CLUTCH SPRING LENGTH:

2.95 ~ 3.15 inches (75 ~ 80 mm)



Adjustment

Remove the Z-bend fitting from the lower hole on the auger clutch lever and install it into the upper hole. Recheck the spring length.

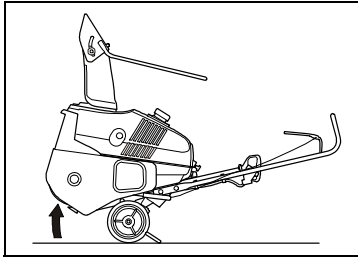


Auger Paddle

Inspection

The paddles are thick, rubber parts bolted to the edges of the auger. The paddles are subject to wear, and should be inspected and replaced if worn beyond the service limit.

1. Park the snow thrower on a flat, level surface. Disconnect the spark plug cap and turn the fuel valve OFF so the engine cannot be accidentally started. Tilt the snow thrower back enough to raise the auger housing.

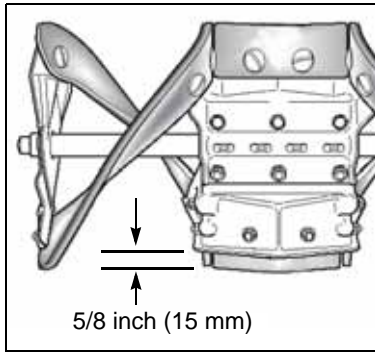


2. Inspect the paddles on the auger and make sure they are in good condition and securely attached.

3. Measure the distance between the edge of the rubber paddle to the edge of the metal auger support.

AUGER PADDLE SERVICE LIMIT:
5/8 inch (15 mm)

Auger paddle replacement should only be done by a servicing Honda snow thrower dealer. If the paddles are worn out, the scraper blade may also need replacement.



Scraper Blade

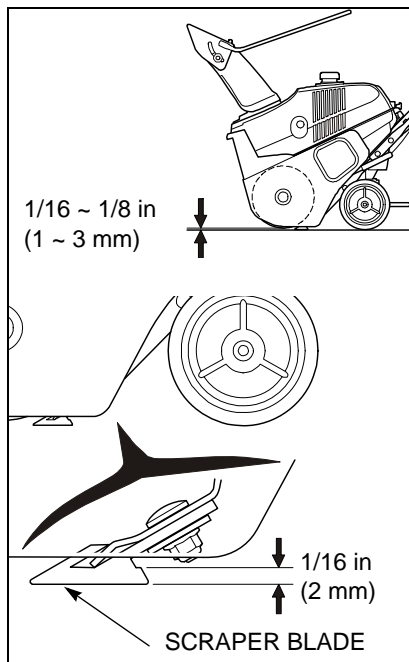
Inspection

1. Turn the engine switch and fuel valve to the OFF position and disconnect the spark plug cap so the engine cannot be accidentally started.
2. Examine the scraper blade and verify it contacts the ground evenly. If it does not, adjust the scraper blade. See "Adjustment" below.

3. Measure the distance between the ground and lowest point on the rubber paddle on the auger. The paddle ground clearance should be:
1/16 ~ 1/8 inches (1 ~ 3 mm).

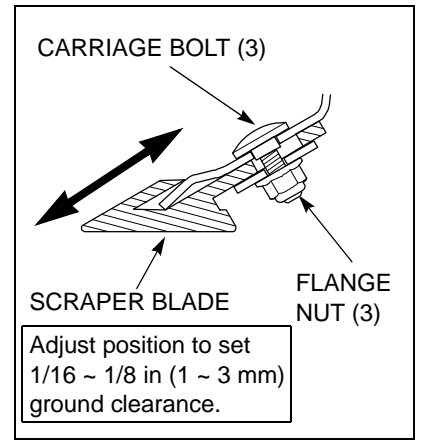
If the ground clearance is not within the specification, adjust the scraper blade. See *Adjustment* on this page.

4. Tilt the snow thrower back and measure the thickness of the scraper blade. Replace the scraper blade if it is less than 1/16 inch (2 mm) thick. See *Replacement* on this page.



Adjustment

1. Turn the engine switch and fuel valve to the OFF position and disconnect the spark plug cap so the engine cannot be accidentally started.
2. Tilt the snow thrower forward to provide access to the underside of the scraper blade.
3. Loosen (don't remove) the three flange nuts on the scraper blade.
4. Move the scraper blade down slightly. Tighten the self-locking nuts and recheck the clearance.



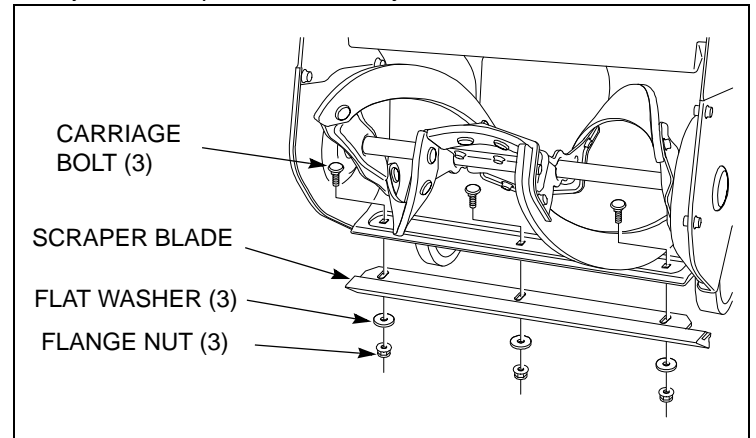
Repeat the procedure as needed to get the necessary clearance. If you cannot set the ground clearance within 1/8 ~ 1/16 inch, replace the scraper blade.

Replacement

The scraper blade wears with normal use and must be replaced when it reaches the service limit. The scraper blade thickness and adjustment determine the clearance between the rubber paddles and the ground.

A new scraper blade can be purchased from a servicing Honda dealer. See [page 20](#) for scraper blade and hardware part numbers.

1. Turn the engine switch and fuel valve to the OFF position ([page 7](#)) and disconnect the spark plug cap so the engine cannot be accidentally started.
2. Tilt the snow thrower forward to provide access to the underside of the scraper blade.
3. Remove the three flange nuts, flat washers, and the scraper blade.
4. Install the new scraper blade, reusing the bolts, washers, and nuts.
5. Adjust the scraper blade. See *Adjustment* above.



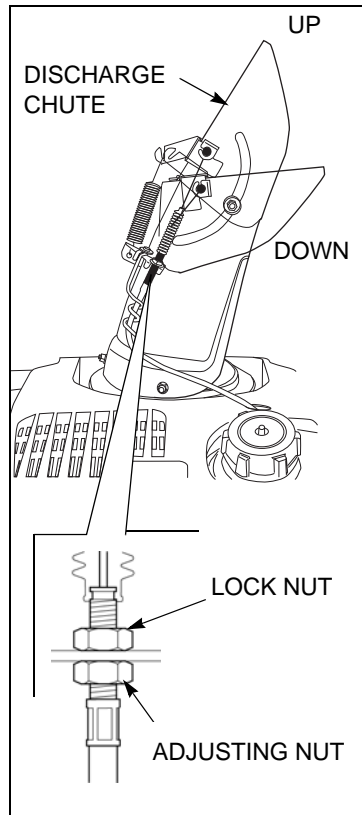
Chute Guide Lever Cable (A, AS type)

Check/Adjustment

Check that the discharge chute moves smoothly and is not hard to move.

1. Pull the chute guide control lever completely rearward. Make sure the chute discharge guide is completely UP.
2. Push the chute guide control lever completely forward. Make sure the chute discharge guide is completely DOWN.
3. Adjust the chute guide to achieve full travel up and down by loosening the lock nut and turning the adjusting nut to the right or left.
4. After adjustment, tighten the lock nut to the specified torque:

**TORQUE: 47.8 ~ 83.2 in•lb
(5.4 ~ 9.4 N•m)**



STORAGE

Proper storage preparation is essential for keeping your snow thrower trouble free and looking good. To help keep rust and corrosion from impairing your snow thrower's function and appearance, and to make the engine easier to start after storage, follow the instructions described in this section to:

- Drain or treat the fuel
- Change the oil and coat the engine cylinder
- Choose a storage location

Fuel

See "AVOIDING FUEL-RELATED PROBLEMS" on [page 19](#) for a list of recommended procedures to avoid fuel related problems.

The *DISTRIBUTOR'S LIMITED WARRANTY* ([page 21](#)) does not cover fuel system damage or engine performance problems resulting from neglected storage preparation.

Oil

Change the engine oil (see [page 11](#)).

Add oil in the engine cylinder to prevent rust.

1. Remove the spark plug ([page 12](#)).
2. Pour a teaspoon (5 cc) of clean engine oil into the cylinder to keep it from rusting.
3. Pull the starter rope several times to distribute the oil in the cylinder.
4. Reinstall the spark plug.
5. Pull the starter rope slowly until resistance is felt, and then return the starter grip gently. This will close the valves so moisture cannot enter the engine cylinder.

TRANSPORTING

If the engine has been running, allow it to cool before loading the snow thrower on the transport vehicle. A hot engine and exhaust system can burn you and can ignite some materials.

Turn the fuel valve to the OFF position. This will prevent carburetor flooding and reduce the possibility of fuel leakage.

If a suitable loading ramp is not available, two people should lift the snow thrower on and off the transport vehicle while holding the snow thrower level.

Position the snow thrower so both wheels and the auger box are level on the bed of the transport vehicle. Tie the snow thrower down with rope or straps, and block the wheels. Keep the tie-down rope or straps away from the controls, adjustment levers, cables, and the carburetor.

Draining the Fuel Tank and Carburetor

1. Place an approved gasoline drain pan below the carburetor drain tube, and use a funnel to avoid spilling fuel. Turn the fuel valve to the ON position.

⚠ WARNING

Gasoline is highly flammable and explosive.

You can be burned or seriously injured when handling fuel.

- Stop the engine and keep heat, sparks, and flames away.
- Handle fuel only outdoors.
- Wipe up spills immediately.

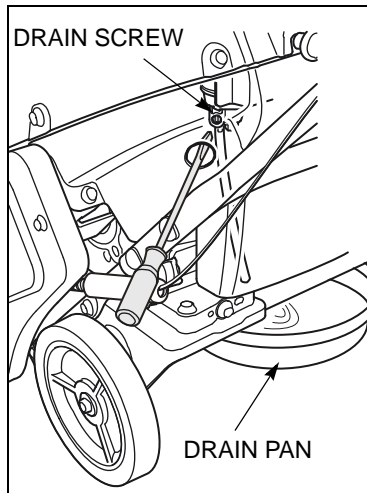
2. Locate the carburetor drain screw in the access hole on the left rear side.

It helps to hold a flashlight under the snow thrower between the shroud and engine, shining towards the carburetor bowl.

3. Use a long, flat-tip screwdriver to loosen without removing the drain screw until fuel starts to drain.

Tip the snow thrower back on the rear support to help drain all the fuel from the tank.

Drain until the fuel tank is empty, and then tighten the drain screw.



Cleaning

Rinse the auger housing and wheels with a garden hose. Wipe the rest of the snow thrower with a moist rag.

Storage Location

If your snow thrower will be stored with gasoline in the fuel tank and carburetor, it is important to reduce the hazard of gasoline vapor ignition. Select a well-ventilated dry storage area away from any appliance that operates with a flame, such as a furnace, water heater, or clothes dryer. Also avoid any area with a spark-producing electric motor, or where power tools are operated.

Make sure the fuel valve is in the OFF position to reduce the possibility of fuel leakage.

Place the snow thrower on a level surface. Tilting can cause fuel or oil leakage.

With the engine and exhaust system cool, cover the snow thrower to keep out dust. A hot engine and exhaust system can ignite or melt some materials. Do not use sheet plastic as a dust cover. A nonporous cover will trap moisture around the snow thrower, promoting rust and corrosion.

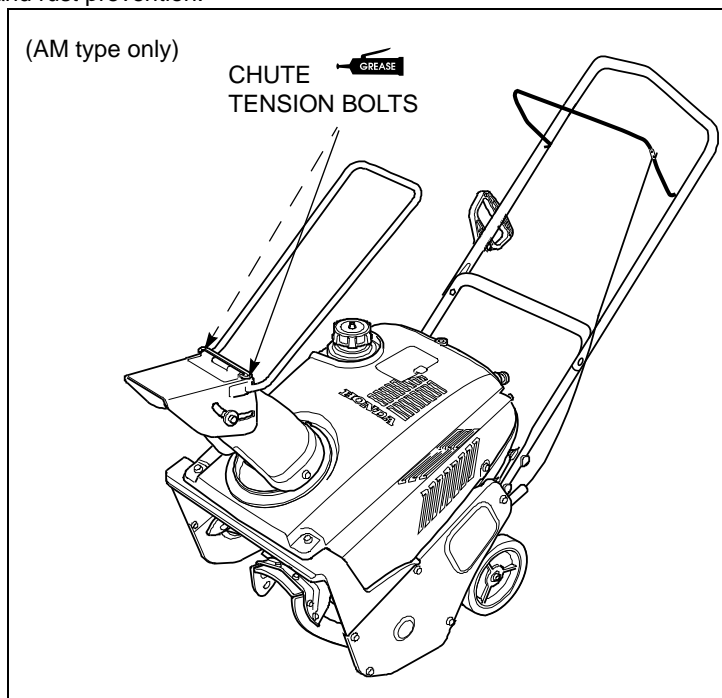
Removing From Storage

Check your snow thrower as described in *BEFORE OPERATION* (page 5).

If the cylinder was coated with oil during storage preparation, the engine may smoke briefly at startup.

Lubrication

Apply a small amount of grease to the following parts for lubrication and rust prevention.



TROUBLESHOOTING

Electric Starter Will Not Operate

(AS type)

Possible cause	Correction
No electric power from the outlet.	Try a known good electrical outlet or start the engine by using the recoil starter.
Defective power cord.	Try another power cord or start the engine using the recoil starter.

Starter Operates but the Engine Will Not Start

Possible cause	Correction
Engine switch is OFF.	Turn the engine switch ON.
Fuel valve is OFF.	Turn the fuel valve ON (page 7).
Stale or old fuel.	Be sure the tank has fresh fuel. Drain the carburetor (page 15).
Spark plug cap is off.	Make sure the cap is connected.
Improper gap or deposits in the spark plug gap.	Verify the spark plug is free of deposits and has the proper gap (page 12).

Engine Runs but the Auger Does Not Operate

Possible cause	Correction
Auger paddles are worn out.	Replace the auger paddles.
Auger clutch lever is not engaged.	Engage the auger clutch lever by pulling it toward the handlebar.
Clutch lever free play is excessive.	Adjust the free play (page 12).
Auger not engaging because the drive belt is worn, broken, or not on the pulleys.	See you servicing Honda snow thrower dealer.

Chute Does Not Turn

(A, AS type)

Possible cause	Correction
Chute, gears, or lever are clogged or frozen.	Melt snow or clear obstruction from unit.
If lever turns but chute does not:	<ul style="list-style-type: none"> • Check control rod pin. • Check for broken gears.

Engine Has Low Power

Possible cause	Correction
Fast ground speed puts excessive load on the engine.	Reduce your walking speed.
Wet, deep snow puts an excessive load on the engine.	Reduce the snow throwing swath.
Discharge chute is restricted.	Clear the discharge chute of obstructions (page 12).
Spark plug cap is not secure.	Make sure the spark plug cap is securely connected.
Improper electrode gap or deposits on the gap.	Verify the spark plug is free of deposits and has the proper gap (page 12).
Choke in the wrong position.	Make sure the choke is in the OPEN position (page 7).
Stale or old fuel.	Be sure the tank has fresh fuel. Drain the carburetor (page 15).

Snow Not Discharging Properly

Possible cause	Correction
Discharge chute is restricted.	Clear the discharge chute of obstructions (page 7).
Foreign object stopping the auger from rotating.	Remove the foreign object (page 7).
Auger not engaging because the drive belt is worn, broken, or not on the pulleys.	See servicing Honda snow thrower dealer.
Swath is too wide for wet, deep snow conditions.	Reduce snow throwing swath.
Snow Thrower is moving too fast for snow conditions.	Reduce your walking speed.

Engine Stalls When the Clutch Lever is Engaged

Possible cause	Correction
Discharge chute is restricted.	Clear the discharge chute and auger housing of obstructions (page 7).
Foreign object is stopping the auger from rotating.	
The auger is frozen.	

TECHNICAL INFORMATION

Serial Number Locations



There are two serial numbers, one for the engine and one for the snow thrower frame. Record the engine and frame serial numbers in the space below. You will need these serial numbers when ordering parts and when making technical or warranty inquiries.

Engine serial number: _____

Frame serial number: _____

Date of purchase: _____

High Altitude Operation

At high altitudes, the standard carburetor air-fuel mixture will be too rich. Performance will decrease, and fuel consumption will increase. A very rich mixture will also foul the spark plug and cause hard starting. Operation at an altitude that differs from that at which this engine was certified, for extended periods of time, may increase emissions.

High altitude performance can be improved by specific modifications to the carburetor. If you always operate your snow thrower at altitudes above 5,000 feet (1,500 meters), have your servicing dealer perform this carburetor modification. This engine, when operated at high altitude with the carburetor modifications for high altitude use, will meet each emission standard throughout its useful life.

Even with carburetor modification, engine horsepower will decrease about 3.5% for each 1,000-foot (300-meter) increase in altitude. The effect of altitude on horsepower will be greater than this if no carburetor modification is made.

NOTICE

When the carburetor has been modified for high altitude operation, the air-fuel mixture will be too lean for low altitude use. Operation at altitudes below 5,000 feet (1,500 meters) with a modified carburetor may cause the engine to overheat and result in serious engine damage. For use at low altitudes, have your servicing dealer return the carburetor to original factory specifications.

Emission Control System

Source of Emissions

The combustion process produces carbon monoxide, oxides of nitrogen, and hydrocarbons. Control of hydrocarbons and oxides of nitrogen is very important because, under certain conditions, they react to form photochemical smog when subjected to sunlight. Carbon monoxide does not react in the same way, but it is toxic.

Honda utilizes appropriate air/fuel ratios and other emissions control systems to reduce the emissions of carbon monoxide, oxides of nitrogen, and hydrocarbons. Additionally, Honda fuel systems utilize components and control technologies to reduce evaporative emissions.

U.S. EPA, CARB, and Environment Canada

EPA, California, and Canadian emissions regulations require all manufacturers to furnish written instructions describing the operation and maintenance of emissions control systems.

The following instructions and procedures must be followed in order to keep the emissions from your Honda engine within the emissions standards.

Tampering and Altering

NOTICE

Tampering is a violation of Federal and California law.

Tampering with or altering the emissions control system may increase emissions beyond the legal limit. Among those acts that constitute tampering are:

- Removal or alteration of any part of the intake, fuel, or exhaust systems.
- Altering or defeating the speed-adjusting mechanism to cause the engine to operate outside its design parameters.

Problems That May Affect Emissions

If you are aware of any of the following symptoms, have your engine inspected and repaired by your servicing dealer.

- Hard starting or stalling after starting
- Rough idle
- Misfiring, backfiring under load, or afterburning
- Black exhaust smoke or high fuel consumption

Replacement Parts

The emissions control systems on your new Honda engine were designed, built, and certified to conform with EPA, California, and Canadian emissions regulations. We recommend the use of Honda Genuine parts whenever you have maintenance done. These original-design replacement parts are manufactured to the same standards as the original parts, so you can be confident of their performance. The use of replacement parts that are not of the original design and quality may impair the effectiveness of your emissions control system.

A manufacturer of an aftermarket part assumes the responsibility that the part will not adversely affect emissions performance. The manufacturer or rebuilder of the part must certify that use of the part will not result in a failure of the engine to comply with emissions regulations.

Maintenance

Follow the *MAINTENANCE SCHEDULE* on [page 11](#). Remember this schedule is based on the assumption that your machine will be used for its designed purpose. Sustained high-load or high-temperature operation, or use in unusually wet or dusty conditions, will require more frequent service.

Air Index

An Air Index Information hang tag/label is applied to engines certified to an emission durability time period in accordance with the requirements of the California Air Resources Board.

The bar graph is intended to provide you, our customer, the ability to compare the emissions performance of available engines. The lower the Air Index, the less pollution.

The durability description is intended to provide you with information relating the engine's emission durability period. The descriptive term indicates the useful life period for the engine's emission control system. See your *EMISSION SYSTEM WARRANTY* ([page 22](#)) for additional information.

Descriptive Term	Applicable to Emissions Durability Period
Moderate	50 hours (0 ~ 80 cc) 125 hours (greater than 80 cc)
Intermediate	125 hours (0 ~ 80 cc) 250 hours (greater than 80 cc)
Extended	300 hours (0 ~ 80 cc) 500 hours (greater than 80 cc) 1000 hours (225 cc and greater)

Specifications

Features

HS720	A	AS	AM
AC Electric start		O	
Remote chute controls	O	O	
Manual chute control lever			O
GC190 4-stroke OHC engine	O	O	O
Throws snow up to 32 feet	O	O	O

Dimensions and Weights

Type	A	AS	AM
Length	49.6 in (1260 mm)		
Width	20.8 in (530 mm)		
Overall height	40.5 in (1030 mm)		
Dry weight	88.8 lb (40.3 kg)	93.0 lb (42.2 kg)	81.6 lb (37 kg)
Snow clearing area (W x H)	19.7 x 12.0 in (500 x 306 mm)		
Clearing capacity	55 US short (50 metric) tons/hour		
Max. snow throwing distance*	32.8 ft (10 m)		
Continuous operating time**	1.0 hr		

* Max snow throwing distance in forward direction and varies with conditions and snow.

** Operating time will vary depending on the depth and weight of the snow.

Engine Design and Performance

Model	GC190
Type	4-stroke, overhead-cam, single-cylinder, air-cooled
Displacement	11.4 cu in (187 cc)
Bore and stroke	2.71 x 1.97 in (69.0 x 50.0 mm)
Compression ratio	8.5:1
Ignition system	Transistorized magneto
Starting system	HS720A and AM: recoil (pull start) HS720AS: AC electric or recoil

Maintenance

Fuel	Unleaded gasoline with a pump octane rating of 86 or higher containing no more than 10% ethanol by volume Capacity: 1.1 US qt (1.1 L) See "AVOIDING FUEL-RELATED PROBLEMS" on page 19 to prevent fuel-related problems	page 6
Engine Oil	SAE 5W-30, API SJ or later Capacity: 0.61 qt (0.58 L)*	page 12
Spark Plug	Type: NGK - BPR5ES Gap: 0.028 ~ 0.031 in (0.7 ~ 0.8 mm)	page 12
Valve clearance (cold)	Intake: 0.15 ± 0.04 mm Exhaust: 0.20 ± 0.04 mm	Shop manual

* Actual amount will vary due to residual oil in the engine. Always use the dipstick to confirm the actual level ([page 5](#)).

AVOIDING FUEL-RELATED PROBLEMS

When maintained properly, your Honda snow thrower should provide years of trouble-free operation. This includes the fuel system. However, gasoline can quickly deteriorate (in as little as 30 days), causing starting or running problems and, in some cases, damage to the fuel system. Most fuel-related problems can be avoided by following the precautions listed below. Fuel system damage and engine performance problems resulting from deteriorated fuel are not covered by the *Distributor's Limited Warranty* (see [page 21](#)).

During the Normal Operating Season

Action	Reason
Do not use gasoline containing more than 10% ethanol (E10). Not all automotive gasoline is safe to use in your snow thrower.	A high level of ethanol in gasoline attracts water and can corrode or damage the fuel system and cause performance problems.
Store gasoline in a clean, plastic, sealed container approved for fuel storage. Store your fuel supply container away from direct sunlight; if the container has a vent, keep it closed.	A clean plastic container will prevent rust and metallic contaminants from entering the fuel system. Gasoline will deteriorate faster when exposed to air and sunlight.
Purchase only enough gasoline to last for 1 to 2 months (about 30 to 60 days). If you purchase enough gasoline to last for more than 60 days, add a fuel stabilizer to your storage tank when you fill it.	Gasoline deteriorates with age so try to avoid storing it for long periods, especially in summer heat. Fuel stabilizer will extend the shelf life of gasoline, but it will not reconstitute stale fuel.
Keep your snow thrower's fuel tank full of fresh fuel when not in use. Turn the fuel valve OFF.	If the fuel tank is only partially filled, air in the tank will promote fuel deterioration.

3 to 4 Weeks Before Next Use

Action	Reason
Keep your snow thrower's fuel tank full of fresh fuel when not in use. Turn the fuel valve OFF.	If the fuel tank is only partially filled, air in the tank will promote fuel deterioration.
Turn the fuel valve to the OFF position, start the engine and let it run approximately 3 minutes until the carburetor is empty and the engine stops.	The small amount of gasoline in your engines carburetor will deteriorate faster than the fuel in the fuel tank due to its small volume and heat from the engine.

1 to 3 Months Before Next Use

Action	Reason
If you did not add fuel stabilizer to your fuel storage tank when you filled it up, fill your snow thrower's fuel tank with fresh gasoline.	If the fuel tank is only partially filled, air in the tank will promote fuel deterioration.
Add fuel stabilizer to the snow thrower tank according to the stabilizer manufacturer's instructions.	Fuel stabilizer will extend the life of gasoline, but it will not reconstitute stale gasoline.
Run the engine outdoors for 10 minutes.	To make sure treated gasoline has replaced untreated gasoline throughout the fuel system.
Turn the fuel valve to the OFF position, start the engine, and let it run approximately 3 minutes until the carburetor is empty and the engine stops.	The small amount of gasoline in your snow thrower's carburetor will deteriorate faster than the fuel in the fuel tank due to its small volume and heat from the engine.

More Than 3 Months Before Next Use

Action	Reason
Drain the fuel following the procedure on page 15 . Or start the engine and let it run long enough to empty all the gasoline from the entire fuel system, including the fuel tank. Do not allow gasoline to remain in your snow thrower for more than 3 months (about 90 days) of inactivity.	All fuel stabilizers have a shelf life. It is good practice to empty the fuel system for long term inactivity.

If you have fuel left in your storage container at the end of the operating season, recycle the fuel into your car's fuel tank or dispose of properly.

CUSTOMER INFORMATION

Parts, Accessories, and Service Items

Contact an authorized Honda servicing dealer to purchase any of these (or other) Honda Genuine Service parts and other approved accessories for your snow thrower. For a complete list of snow thrower accessories, visit us at www.powerequipment.honda.com and click on snow thrower.

Replacement Parts

Item	Part Number	Notes
Spark plug	98079-55846	NGK (brand) BPR5ES
Scraper blade	76322-V10-020	3 nuts and washers required
8 mm nut for scraper blade	90309-428-731	
Washer for scraper blade	90521-259-000	

Accessories

Item	Part Number	Notes
NO-SPILL [®] gas cans	06176-1415-C6	1-1/4 gallon
	06176-1405-C6	2-1/2 gallon
Storage cover	06520-768-000AH	

Service Items

Item	Part Number	Notes
SAE 5W-30 engine oil	08207-5W30	1 quart Honda Genuine oil
Fuel stabilizer	08732-0800	8 oz bottle for short and long term storage

® NO-SPILL is a registered trademark of NoSpill LLC.

Dealer Locator Information

To find an Authorized Honda Servicing Dealer anywhere in the United States:

Visit www.powerequipment.honda.com and click on Find a Dealer.

How to Contact Honda

Honda Power Equipment dealership personnel are trained professionals. They should be able to answer any question you may have. If you encounter a problem that your dealer does not solve to your satisfaction, please discuss it with the dealership's management. The Service Manager or General Manager can help. Almost all problems are solved in this way.

If you are dissatisfied with the decision made by the dealership's management, contact the Honda Power Equipment Customer Relations Office. You can write:

American Honda Motor Co., Inc.
Power Equipment Division
Customer Relations Office
4900 Marconi Drive
Alpharetta, GA 30005-8847

Or telephone: (770) 497-6400 M-F, 8:30 a.m. - 7:00 p.m. ET

When you write or call, please give us this information:

- Model and serial numbers ([page 17](#))
- Name of the dealer who sold the snow thrower to you
- Name and address of the dealer who services your snow thrower
- Date of purchase
- Your name, address, and telephone number
- A detailed description of the problem

Honda Publications

These publications will give you information for maintaining and repairing your snow thrower.

Owner's Manual

Keep this owner's manual handy so you can refer to it at any time. Consider this owner's manual a permanent part of the snow thrower; please give it to the new owner if you resell the snow thrower.

The information and specifications included in this publication were in effect at the time of approval for printing. American Honda Motor Co., Inc. reserves the right, however, to discontinue or change specifications or design at any time without notice and without incurring any obligation whatever. No part of this publication may be reproduced without written permission.

Shop Manual

This manual covers complete maintenance and overhaul procedures. It is intended to be used by a skilled technician. Available through your Honda dealer or visit

www.powerequipment.honda.com and click on Product Manuals.

Parts Catalog

This manual provides complete, illustrated parts lists, and is available through your Honda dealer.

Frequently Asked Questions



The Honda Power Equipment web site provides additional information for users of Honda power equipment. Visit www.powerequipment.honda.com and click on FAQs or scan the QR code shown.

DISTRIBUTOR'S LIMITED WARRANTY

Honda Power Equipment

This warranty is limited to the following Honda Power Equipment products when distributed by American Honda Motor Co., Inc., Power Equipment Division, 4900 Marconi Drive, Alpharetta, Georgia 30005-8847, purchased at retail or placed in rental service on or after January 1, 2010.

PRODUCTS COVERED BY THIS WARRANTY	LENGTH OF WARRANTY (from date of original retail purchase)	
	PRIVATE RESIDENTIAL ⁽¹⁾	COMMERCIAL/ RENTAL/ INSTITUTIONAL
HS720	24 months	3 months

⁽¹⁾ Private residential: Used in maintaining owner's primary and/or secondary residence. Any other use, including but not limited to informal "for hire" use, is considered commercial/rental/institutional use.

To Qualify for This Warranty:

The product must be purchased in the United States, Puerto Rico, or the U.S. Virgin Islands from American Honda or a dealer authorized by American Honda to sell those products. This warranty applies to the first retail purchaser and each subsequent owner during the applicable warranty time period, unless noted otherwise.

What American Honda Will Repair or Replace Under Warranty:

American Honda will repair or replace, at its option, any part that is proven to be defective in material or workmanship under normal use during the applicable warranty time period. Warranty repairs and replacements will be made without charge for parts or labor. Anything replaced under warranty becomes the property of American Honda Motor Co., Inc. All parts replaced under warranty will be considered as part of the original product, and any warranty on those parts will expire coincident with the original product warranty.

To Obtain Warranty Service:

You must, at your expense, take the Honda Power Equipment product, accessory, replacement part, apparel, or the power equipment on which the accessory or replacement part is installed, and proof of purchase to any Honda Power Equipment dealer in the United States, Puerto Rico, or the U.S. Virgin Islands who is authorized to sell and/or service that product, during the dealer's normal business hours. To locate a dealer near you, visit our web site at <http://www.PowerEquipment.Honda.com> and click on Find a Dealer.

If you are unable to obtain warranty service or are dissatisfied with the warranty service you receive, contact the owner of the dealership involved; normally this will resolve the problem. However, if you should require further assistance, write or call the Power Equipment Customer Relations Dept. of American Honda Motor Co., Inc. See "How to Contact Honda" on [page 20](#).

Exclusions:

- Any damage or deterioration resulting from the following:
 - Neglect of the periodic maintenance as specified in this manual
 - Improper repair or maintenance
 - Operating methods other than those indicated in this manual
 - The use of non-genuine Honda parts, accessories, lubricants, and fluids other than those approved by Honda
 - Exposure of the product to soot and smoke, chemical agents, bird droppings, sea water, sea breeze, salt or other environmental phenomena
 - Collision, fuel contamination or deterioration, neglect, unauthorized alteration, misuse, incorporation or use of unsuitable attachments or parts
 - Normal wear and tear (including but not limited to normal fading of painted or plated surfaces, sheet peeling and other natural deterioration)
- Consumable parts: Honda does not warrant parts deterioration due to normal wear and tear. The parts listed below are not covered by this warranty (unless they are needed during another repair covered under this warranty):
 - Spark plug, fuel filter, air cleaner element, clutch disc, tire, wheel bearing, recoil starter rope, cable, belt, cutter blade, oil and grease.
- Cleaning, adjustment, and normal periodic maintenance work (carburetor cleaning, engine oil draining, blade sharpening, belt and cable adjustments).
- Any product that has ever been declared a total loss or sold for salvage by a financial institution or insurer.
- Auger and paddle assemblies of snow throwers, tiller tines of roto-tillers, and mower blades and mower deck housings are specifically not warranted against impact damage, including but not limited to, abrasive damage.

Disclaimer of Consequential Damage and Limitation of Implied Warranties:

American Honda disclaims any responsibility for loss of time or use of the product, transportation, commercial loss, or any other incidental or consequential damage. Any implied warranties are limited to the duration of this written limited warranty. Some states do not allow limitations on how long an implied warranty lasts and/or do not allow the exclusion or limitation of incidental or consequential damages, therefore the above exclusions and limitations may not apply to you. This warranty gives you specific legal rights, and you may also have other rights which vary from state to state.

Honda Parts, Accessories, and Apparel

This warranty is limited to Honda Power Equipment parts, accessories, and apparel when distributed by American Honda Motor Co., Inc., 4900 Marconi Drive, Alpharetta, Georgia 30005-8847.

PRODUCTS COVERED BY THIS WARRANTY	LENGTH OF WARRANTY (from date of original retail purchase)	
	PRIVATE RESIDENTIAL	COMMERCIAL/ RENTAL/ INSTITUTIONAL
Parts	6 months	3 months
Accessories	12 months	3 months
Apparel	6 months	3 months

To Qualify for This Warranty:

- The parts, accessories, or apparel must be purchased from American Honda or a dealer authorized by American Honda to sell those products in the United States, Puerto Rico, and the U.S. Virgin Islands. Parts and Accessories must be purchased for installation on original Honda equipment or engines to be eligible for warranty coverage. Installing parts and accessories on non-Honda products or engines voids this warranty.
- You must be the first retail purchaser. This warranty is not transferable to subsequent owners.

What American Honda Will Repair or Replace Under Warranty:

American Honda will repair or replace, at its option, any Honda Power Equipment parts, accessories, replacement parts, or apparel that are proven to be defective in material or workmanship under normal use during the applicable warranty time period. Anything replaced under warranty becomes the property of American Honda Motor Company, Inc. The warranty on all parts, accessories, and apparel replaced under warranty will expire coincident with the original warranty on the replaced parts, accessories, or apparel. Parts and accessories installed by a dealer who is authorized by American Honda to sell them will be repaired or replaced under warranty without charge for parts or labor. If installed by anyone else, parts and accessories will be repaired or replaced under warranty without charge for parts, but any labor charges will be the responsibility of the purchaser.

Apparel will be repaired or replaced under warranty without any charge.

To Obtain Warranty Service:

You must, at your expense, take the Honda Power Equipment part, accessory, apparel or the Honda Power Equipment on which the part or accessory is installed, and proof of purchase to any Honda Power Equipment dealer in the United States, Puerto Rico, or the U.S. Virgin Islands who is authorized to sell that product, during the dealer's normal business hours. To locate a dealer near you, visit our web site at <http://www.PowerEquipment.Honda.com> and click on Find a Dealer.

If you are unable to obtain warranty service or are dissatisfied with the warranty service you receive, contact the owner of the dealership involved; normally this will resolve the problem. However, if you should require further assistance, write or call the Power Equipment Customer Relations Department of American Honda Motor Co., Inc. See "How to Contact Honda" on [page 20](#).

Exclusions:

This warranty does not extend to parts, accessories, or apparel affected or damaged by collision, normal wear, use in an application for which the product was not designed or any other misuse, neglect, incorporation or use of unsuitable attachments or parts, unauthorized alteration, improper installation, or any causes other than defects in material or workmanship of the product. Installing parts and accessories on non-Honda products or engines voids this warranty.

Disclaimer of Consequential Damage and Limitation of Implied Warranties:

American Honda disclaims any responsibility for loss of time or use of the product, or the power equipment on which the product is installed, transportation, commercial loss, or any other incidental or consequential damage. Any implied warranties are limited to the duration of this written warranty. Some states do not allow limitations on how long an implied warranty lasts and/or do not allow the exclusion or limitation of incidental or consequential damages, therefore the above exclusions and limitations may not apply to you.

This warranty gives you specific legal rights, and you may also have other rights which vary from state to state.

PWL50623-S

EMISSION SYSTEM WARRANTY

Your new Honda Power Equipment engine complies with the U.S. EPA, Environment Canada, and State of California emission regulations (models certified for sale in California only). American Honda Motor Co., Inc. provides the emission warranty coverage for engines in the United States and its territories. Honda Canada Inc. provides the emission warranty for engines in the 13 provinces and territories of Canada. In the remainder of this Emission Control System Warranty, American Honda Motor Company Inc. and Honda Canada Inc. will be referred to as Honda.

YOUR WARRANTY RIGHTS AND OBLIGATIONS:

CALIFORNIA

The California Air Resources Board and Honda are pleased to explain the emission control system warranty on your 2014 and later Honda Power Equipment engine. In California, new spark-ignited small off-road equipment engines must be designed, built, and equipped to meet the State's stringent anti-smog standards.

OTHER STATES, U.S. TERRITORIES, AND CANADA

In other areas of the United States and in Canada, your engine must be designed, built, and equipped to meet the U.S. EPA and Environment Canada emission standards for spark-ignited engines at or below 19 kilowatts. Specific Honda products that do not meet the California emissions regulations can be identified by a "Not for sale in California" decal.

ALL OF THE UNITED STATES AND CANADA

Honda must warrant the emission control system on your power equipment engine for the period of time listed below, provided there has been no abuse, neglect, or improper maintenance of your power equipment engine. Where a warrantable condition exists, Honda will repair your power equipment engine at no cost to you including diagnosis, parts, and labor.

Your emission control system may include such parts as the carburetor or fuel injection system, the ignition system, and catalytic converter. Also included may be hoses, connectors, and other emission-related assemblies. (See adjacent table for additional covered parts).

OWNER'S WARRANTY RESPONSIBILITY:

As the power equipment engine owner, you are responsible for the performance of the required maintenance listed in your owner's manual. Honda recommends that you retain all receipts covering maintenance on your power equipment engine, but Honda cannot deny warranty coverage solely for the lack of receipts or for your failure to ensure the performance of all scheduled maintenance.

As the power equipment engine owner, you should however be aware Honda may deny you warranty coverage if your power equipment engine or a part has failed due to abuse, neglect, improper maintenance, or unapproved modifications.

You are responsible for presenting your power equipment engine to a Honda Power Equipment dealer as soon as a problem exists. The warranty repairs should be completed in a reasonable amount of time, not to exceed 30 days. If you have any questions regarding your emissions warranty rights and responsibilities, you should contact the Honda Office in your region:

American Honda Motor Co., Inc.
Power Equipment Customer
Relations
4900 Marconi Drive
Alpharetta, Georgia 30005-8847
Telephone: (888) 888-3139
Email: powerequipmentemissions
@ahm.honda.com

Honda Canada Inc.
180 Honda Blvd.
Markham, ON, L6C, 0H9
Telephone: (888) 946-6329

WARRANTY COVERAGE:

Honda power equipment engines sold in the United States and Canada are covered by this warranty for a period of two years from the date of delivery to the original retail purchaser or the length of the Honda Distributor's Limited Warranty, whichever is longer. This warranty is transferable to each subsequent purchaser for the duration of the warranty period.

If any emission-related part on your engine is defective, the part will be repaired or replaced by Honda without charge for diagnosis, parts, or labor. All defective parts replaced under this warranty become the property of Honda. A list of warranted parts is in the adjacent column. Normal maintenance items, such as spark plugs and filters, that are on the warranted parts list are warranted up to their required replacement interval only.

Honda will also replace other engine components damaged by a failure of any warranted part during the warranty period.

Only Honda approved replacement parts may be used in the performance of any warranty repairs and must be provided without charge to the owner. The use of replacement parts not equivalent to the original parts may impair the effectiveness of your engine emission control system. If such a replacement part is used in the repair or maintenance of your engine, and an authorized Honda dealer determines it is defective or causes a failure of a warranted part, your claim for repair of your engine may be denied. If the part in question is not related to the reason your engine requires repair, your claim will not be denied.

TO OBTAIN WARRANTY SERVICE:

You must, at your own expense, take your Honda Power Equipment engine or the product on which it is installed, along with your sales registration card or other proof of original purchase date, to any Honda Power Equipment dealer who is authorized by Honda to sell and service that Honda product during his normal business hours. Claims for repair or adjustment found to be caused solely by defects in material or workmanship will not be denied because the engine was not properly maintained and used.

If you are unable to obtain emission warranty service or are dissatisfied with the warranty service you received, contact the owner of the dealership involved. Normally this should resolve your problem. However, if you require further assistance, contact the Honda office in your region. Refer to adjacent column for contact information.

EXCLUSIONS:

Failures other than those resulting from defects in material or workmanship are not covered by this warranty. This warranty does not extend to emission control systems or parts that are affected or damaged by owner abuse, neglect, improper maintenance, misuse, misfueling, improper storage, collision, the incorporation of, or use of, unsuitable attachments, or the unauthorized alteration of any part.

This warranty does not cover replacement of expendable maintenance items made in connection with required maintenance service after the item's first scheduled replacement as listed in the maintenance section of the product Owner's Manual, such as: spark plugs and filters.

DISCLAIMER OF CONSEQUENTIAL DAMAGE AND LIMITATION OF IMPLIED WARRANTIES:

American Honda Motor Co., Inc. and Honda Canada disclaim any responsibility for incidental or consequential damages such as loss of time or the use of the power equipment, or any commercial loss due to the failure of the equipment; and any implied warranties are limited to the duration of this written warranty. This warranty is applicable only where the California, U.S. EPA or Environment Canada emission control system warranty regulation is in effect.

EMISSION CONTROL SYSTEM WARRANTY PARTS:

SYSTEMS COVERED BY THIS WARRANTY:	PARTS DESCRIPTION:
Fuel Metering	Carburetor assembly, (includes starting enrichment system), Engine temperature sensor, Engine control module, Fuel injector, Fuel regulator, Intake manifold
Evaporative	Fuel tank, Fuel cap, Fuel hoses, Vapor hoses, Carbon canister, Canister mounting brackets, Fuel strainer, Fuel valve, Fuel pump, Fuel hose joint, Canister purge hose joint
Exhaust	Catalyst, Exhaust pipe, Muffler (with catalyst)
Air Induction	Air cleaner case, Air cleaner element*
Ignition	Flywheel comp., Flywheel magneto, Ignition pulse generator, Crankshaft position sensor, Power coil, Ignition coil assembly, Ignition control module, Spark plug cap, Spark plug*
Crankcase Emission Control	Crankcase breather tube, Breather valve assembly, Oil filler cap
Miscellaneous Parts	Tubing, fittings, seals, gaskets, and clamps associated with these listed systems

Note: This list applies to parts supplied by Honda and does not cover parts supplied by the equipment manufacturer. Please see the original equipment manufacturer's emissions warranty for non-Honda parts.

* Covered up to the first required replacement only. See the *MAINTENANCE SCHEDULE* on page 11.

PRODUCT REGISTRATION

Thank you for choosing Honda. To ensure you receive important service information in the event of a product update or recall, please register your snow thrower within 30 days of purchase.

From time to time, American Honda conducts sales promotions that require you to register your snow thrower within 30 days of purchase. If you purchased your Honda snow thrower during one of these promotions, you must register your snow thrower within 30 days.

Your information will remain confidential. It will not be released to any other company or organization.

Failure to register your snow thrower does not diminish your warranty rights.

Please complete and mail the postage paid card or register on-line at www.powerequipment.honda.com

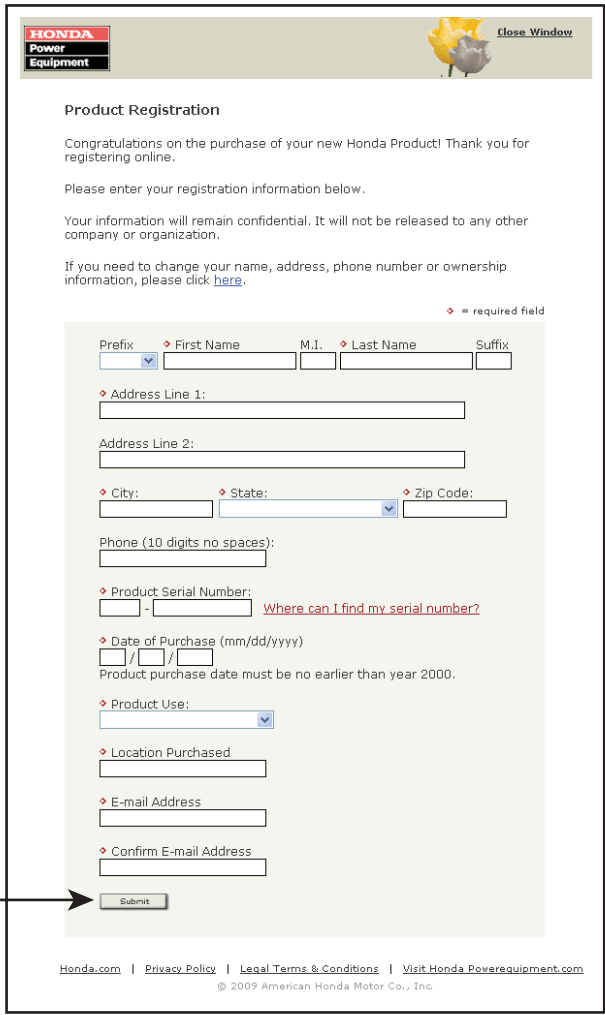
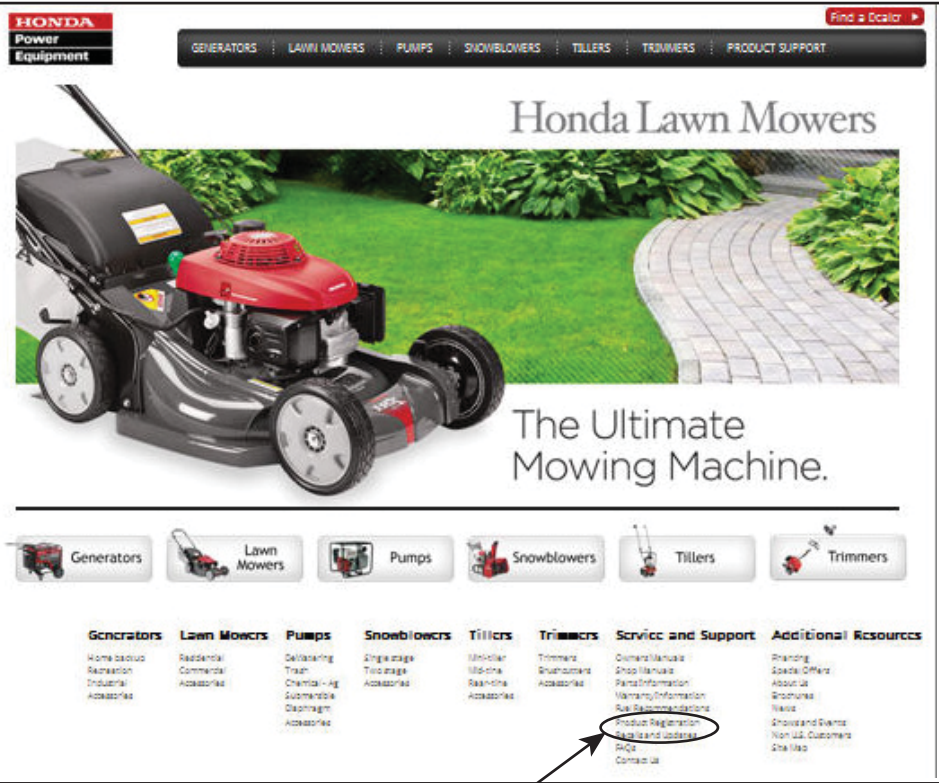


MODEL: XXXX XXXX
 SERIAL NO: XXXX-XXXXXXX

Print the serial number here.

Serial number	* Dealer Store number	* Dealer ZIP code				
<input type="text"/>	<input type="text"/>	<input type="text"/>				
Owner's Last Name	First Name	*If available				
<input type="text"/>	<input type="text"/>					
Company Name <small>(commercial/rental users)</small>	Telephone					
<input type="text"/>	(<input type="text"/>) <input type="text"/> — <input type="text"/>					
Address						
<input type="text"/>						
City	State	ZIP Code				
<input type="text"/>	<input type="text"/>	<input type="text"/> — <input type="text"/>				
E-mail address						
<input type="text"/>						
Date of Purchase		Purchased Via <small>(check one)</small>				
<input type="text"/> — <input type="text"/> — <input type="text"/>	<input type="checkbox"/> In Store	<input type="checkbox"/> Online				
<small>MONTH DAY YEAR</small>						
<table style="width: 100%; border: none;"> <tr> <td style="border: 1px solid black; padding: 2px;">Application <small>(check one)</small></td> <td style="border: 1px solid black; padding: 2px;"><input type="checkbox"/> Commercial <small>(professional use)</small></td> <td style="border: 1px solid black; padding: 2px;"><input type="checkbox"/> Non-commercial <small>(private, homeowner use)</small></td> <td style="border: 1px solid black; padding: 2px;"><input type="checkbox"/> Rental <small>(for-hire use)</small></td> </tr> </table>			Application <small>(check one)</small>	<input type="checkbox"/> Commercial <small>(professional use)</small>	<input type="checkbox"/> Non-commercial <small>(private, homeowner use)</small>	<input type="checkbox"/> Rental <small>(for-hire use)</small>
Application <small>(check one)</small>	<input type="checkbox"/> Commercial <small>(professional use)</small>	<input type="checkbox"/> Non-commercial <small>(private, homeowner use)</small>	<input type="checkbox"/> Rental <small>(for-hire use)</small>			

1. Go to www.PowerEquipment.Honda.com to register your unit.



2. Click on **Product Registration**.

3. Complete the required information and click **Submit**.
It's that simple!

Product Registration



NO POSTAGE
NECESSARY
IF MAILED
IN THE
UNITED STATES

BUSINESS REPLY MAIL

FIRST-CLASS MAIL PERMIT NO. 117 ALPHARETTA GA

POSTAGE WILL BE PAID BY ADDRESSEE

Power Equipment Division
American Honda Motor Co. Inc.
4900 Marconi Dr
Alpharetta GA 30005-9956

EM5

HPE.2014.06
PRINTED IN U.S.A.

